

OPT-J0477, OPT-J0480, OPT-J0530
 Transportation unit
 搬送ユニット

OPERATION MANUAL
取扱説明書

English

Foreword	2
Safety Precautions	3
Warning labels	5
Name of Each Part	6
Combination of optional units	8
Set media	10
Specifications	19

Japanese

はじめに	20
安全にお使いいただくために	21
警告ラベルについて	23
各部の名称	24
オプションユニットの組み合わせ	26
メディアをセットする	28
仕様	36

MIMAKI ENGINEERING CO., LTD.

<https://mimaki.com/>
<https://japan.mimaki.com/>

Foreword

Congratulations on your purchase of the transportation unit.

This operation manual

- This manual explains the operation of the transportation unit.
- Please read and fully understand this operation manual before using the printer. It is also necessary to keep this operation manual on hand.
- Make arrangements to deliver this operation manual to the person in charge of the operation of the transportation unit.
- Although this operation manual has been carefully prepared for your easy understanding, please do not hesitate to contact your local distributor if you have any inquiry.
- The contents of this operation manual are subject to change for improvement without notice. Please note.
- If this manual should become illegible due to damage, or is destroyed due to fire or similar reason, purchase another copy of the operation manual at our sales office.

CAUTION

THIS LIMITED WARRANTY OF MIMAKI SHALL BE THE SOLE AND EXCLUSIVE WARRANTY AND IS IN LIEU OF ALL OTHER WARRANTIES, EXPRESS OR IMPLIED, INCLUDING, BUT NOT LIMITED TO, ANY IMPLIED WARRANTY OF MERCHANTABILITY OR FITNESS, AND MIMAKI NEITHER ASSUMES NOR AUTHORIZES DEALERS TO ASSUME FOR IT ANY OTHER OBLIGATION OR LIABILITY, OR MAKE ANY OTHER WARRANTY, OR MAKE ANY OTHER WARRANTY IN CONNECTION WITH ANY PRODUCT WITHOUT MIMAKI'S PRIOR WRITTEN CONSENT.
THE SAME SHALL APPLY WHEN MIMAKI WAS ADVISED OF THE POSSIBILITY OF SUCH DAMAGES.









IN NO EVENT SHALL MIMAKI BE LIABLE FOR SPECIAL, INCIDENTAL OR CONSEQUENTIAL DAMAGES, OR FOR LOSS OF PROFITS OF DEALER OR CUSTOMERS OF ANY PRODUCT.

Safety Precautions




Symbols

In this document, symbols are used for explaining the contents of cautions on operation. The symbol to be displayed differs depending on the caution content. Understand the meaning of each symbol and use this machine safely and correctly.






Examples of Symbols

Meaning		
	WARNING	Failure to observe the instructions given with this symbol can result in death or serious injuries to personnel. Be sure to read it carefully and use the printer properly.
	CAUTION	Failure to observe the instructions given with this symbol can result in minor or medium injuries to personnel.
	GENERAL WARNING	This symbol indicates that the items shown need to be noted. Specific notes are drawn in the figure.
	GENERAL MANDATORY ACTION	This symbol indicates that the action shown must be executed. Specific instruction is shown in the illustration.
	GENERAL PROHIBITION	This symbol indicates that the action shown is prohibited. Specific action that is prohibited is shown in the illustration.
	IMPORTANT	Important notes for the use of this unit are given with this symbol. Refer to the operation.
	HINT	Useful information is given with this symbol. Refer to the operation.
	REFERENCE	This symbol indicates the reference page for related contents. Click the text to display the corresponding page.





Cautions on Installation

 Caution	
Do not install in the following locations	
 <ul style="list-style-type: none"> • A location exposed to direct sunlight. • On an inclined surface. • A location that vibrates. • A location exposed to a direct air flow from an air conditioner, etc. • Around a location where fire is used. 	 <ul style="list-style-type: none"> • A location where the temperature or humidity changes significantly. (The recommended usage environment differs depending on the connected printer. Confirm by referring to the operation manual of the printer)

Warning for Use

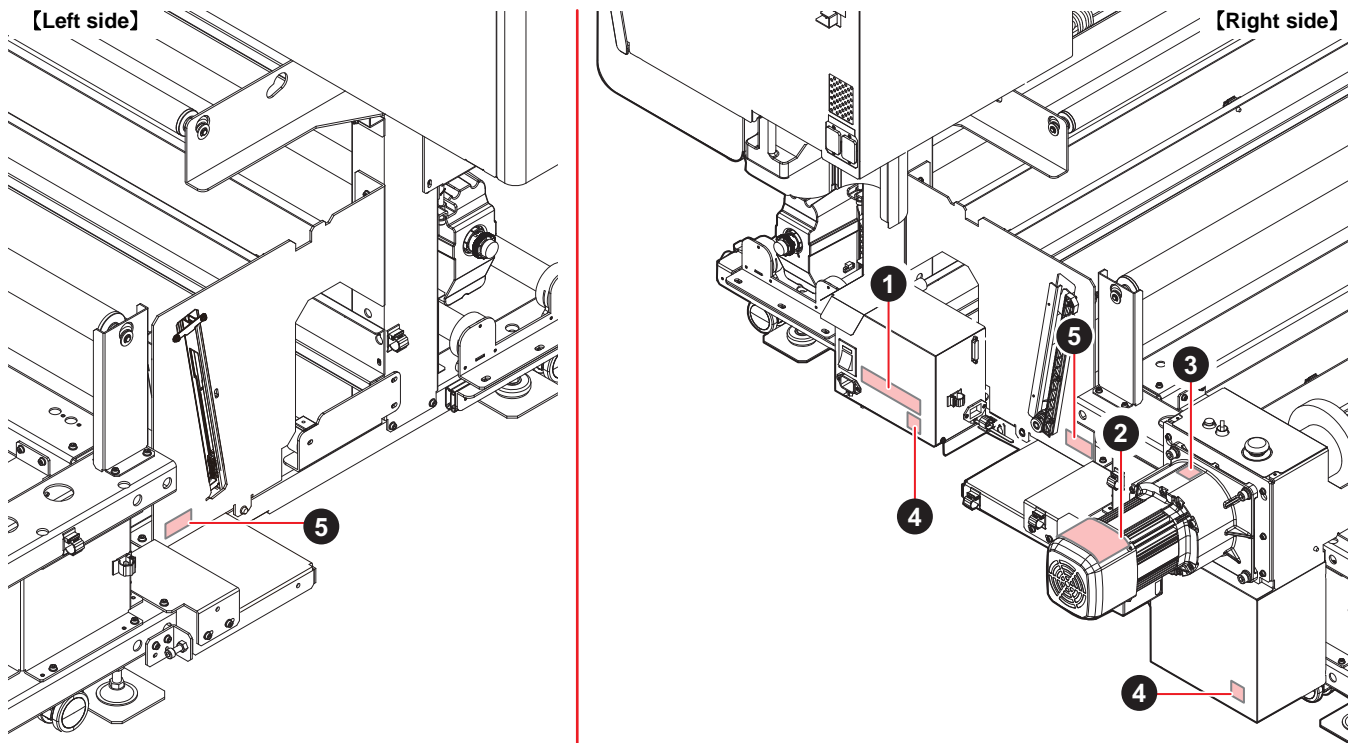
 Warning	
	<ul style="list-style-type: none"> • The set of power cables provided with this machine is for use with this machine only, and cannot be used with other electrical devices. Do not use any power cables other than the ones provided with the machine. Otherwise, it causes a fire and the electric shock. • Take care not to damage, break or work upon the power cable. If a heavy material is placed on the power cable, or if it is heated or pulled, the power cable can break, thus resulting in fire or electric shocks. • Use of the machine under an abnormal condition where it produces smoke or strange smell can result in fire or electric shocks. If such an abnormality is found, be sure to turn off the power switch immediately and unplug the cable from the wall outlet. Check first that the machine no longer produces smoke, and then contact your distributor or a sales office of MIMAKI for repair. Never repair your machine by yourself since it is very dangerous for you to do so. • Take care that no dust or dirt sticks to surface heaters. Dust sticking heaters can cause fire. • Do not use extension cords. Otherwise, it causes a fire and the electric shock. • Keep the power plug prong clear of any foreign object such as a piece of metal. Failure to do so may result in a fire or electric shocks. • Do not plug too many leads into a single socket. Otherwise, it causes a fire and the electric shock. • If the power cord is damaged, exposed core wire, disconnection, etc., contact your service representative for replacement. If used as it is, it may cause fire or electric shock. • Do not handle the power plug with wet hands. Doing so may result in electric shocks. • Grasp by holding the plug itself when removing the power plug from wall outlet, and never hold by the cord. Holding and pulling the cord may damage the cord, leading to fire or electric shocks. • Don't use the machine with the voltage other than the indicated one. Otherwise, it causes a fire and the electric shock. • Don't use the machine with the power frequency other than the indicated one. Otherwise, it causes a fire and the electric shock. • Do not place your fingers or other parts of your body close to the dangerous moving parts. • If a foreign object such as a small piece of metal or a liquid such as water gets inside the machine, turn off the machine. After that, be sure to unplug the power plug from the outlet and consult your service representative. If used as it is, it may cause fire or electric shock. • In case of ink leakage, turn off the main power, unplug the power plug and contact your local distributor, our sales office, or service center. • When moving the machine, contact our dealer or service representative. • Do not use this machine in an area where children might be present.
	<ul style="list-style-type: none"> • Don't use the combustible spray or flammable solvent nearby or inside of this machine. Otherwise, it causes a fire and the electric shock. • Don't put a vase, flowerpot, glass, cosmetics, medicine, container which water was in, or small metal thing in the top and near this machine. When some spills over or enters inside of the machine, it causes a fire and the electric shock.
Prohibition of disassembly or modification	
	<ul style="list-style-type: none"> • Never disassemble or modify the product. Doing so may result in electric shocks or product breakdown.
Prohibition of use in a damp environment	
	<ul style="list-style-type: none"> • Avoid placing the product in a damp environment. Don't splash water onto the product. Otherwise, fire, electric shocks, or product breakdown may result.

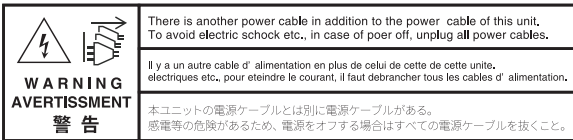




Precautions

 Caution	
Power supply	
	<ul style="list-style-type: none"> • Keep the breaker turned on at all times. • Do not turn off the main power switch on the right side of this machine.
Handling of the power cable	
	<ul style="list-style-type: none"> • Connect to a polarized outlet. • Be sure to connect it to a power outlet located near this unit so that it can be easily removed. • Remove the power plug from the wall outlet more than once a year and clean the peripheral parts between the plug blades. Failure to do so may result in fire or electric shocks. • Don't use the machine with the voltage other than the indicated one. • Check the voltage of the wall outlet and the capacity of the circuit breaker before you plug the power cords. Plug each power cord to different outlet that has independent circuit breaker. If you plug more than one power cord to wall outlets that share the same circuit breaker, the power may be cut off by the breaker.
Heater	
	<ul style="list-style-type: none"> • Do not spill liquid on the Media Transfer Surface. This may cause failure of the heater or firing. • Do not touch heaters with bare hand while it is hot. Otherwise, you can get burned.

Warning labels

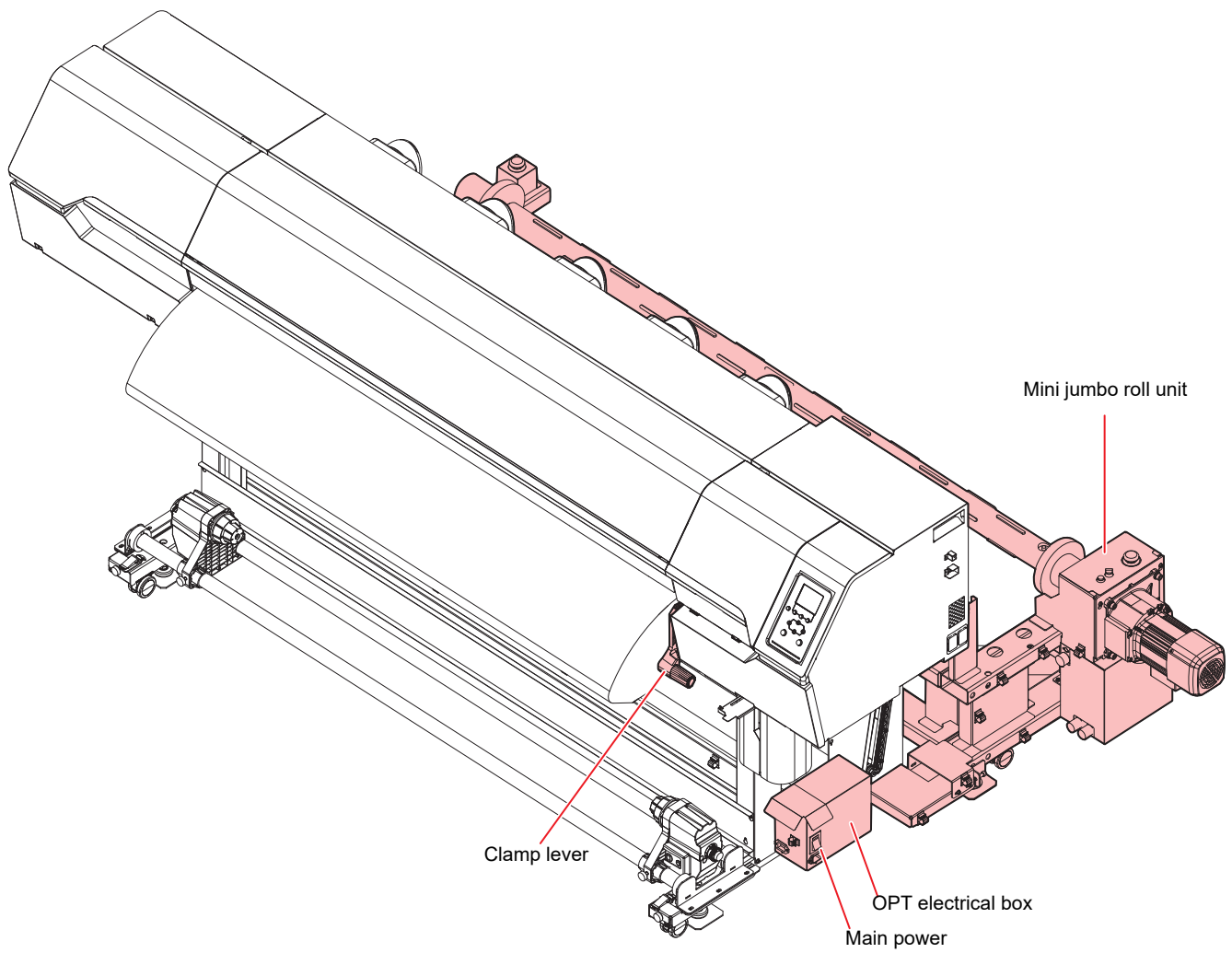
Warning labels are stuck on the machine. Be sure to fully understand the warning given on the labels.
If a warning label is illegible due to stains or has come off, purchase a new one from a distributor or our sales office.



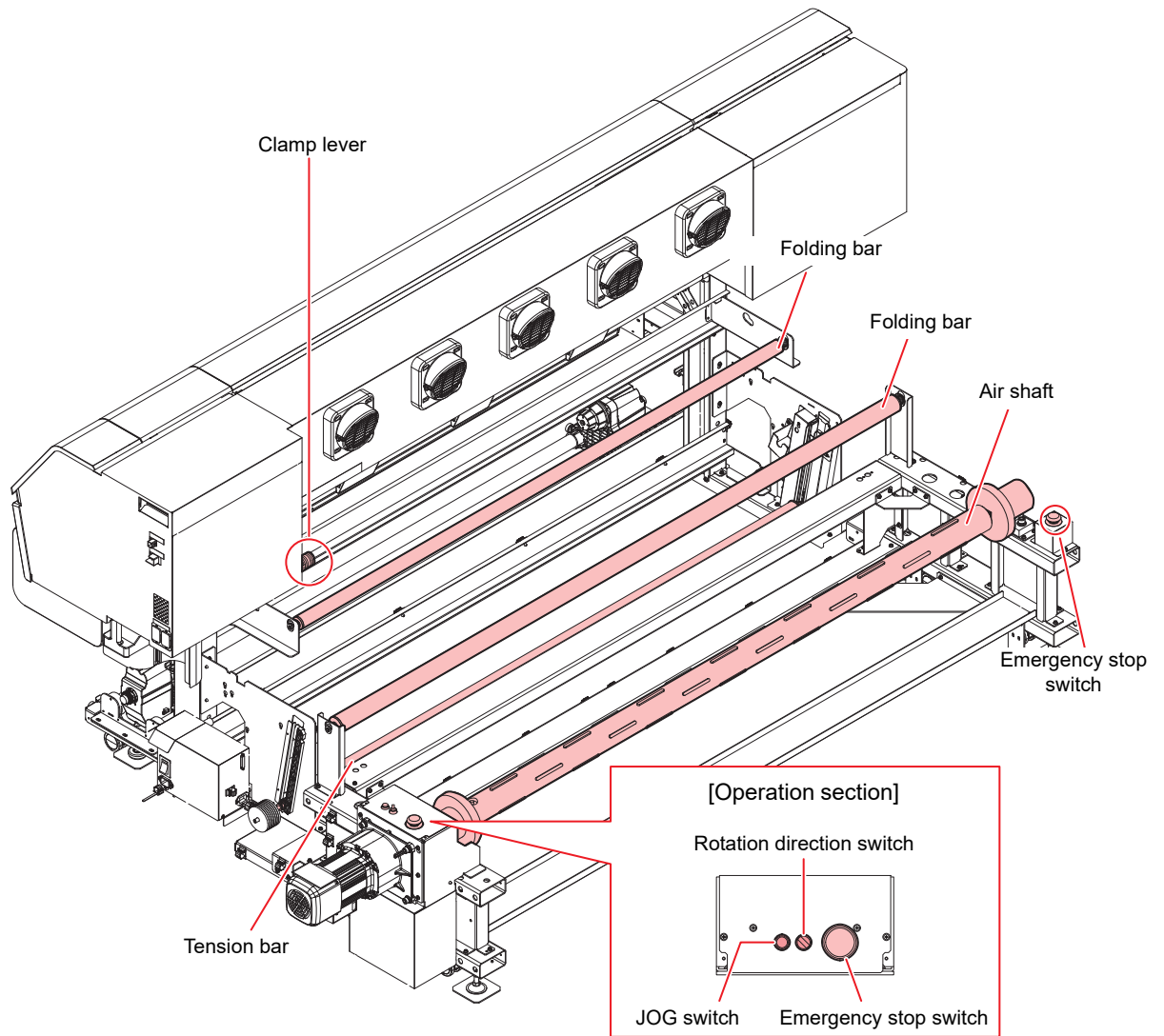
No.	Order No.	Label	Description
1	M916035		Because there is a danger of electric shock etc., when turning off the main power, turn off all power and unplug the cable.
2	M907764		Because there is a possibility of damage, do not ride or put anything.
3	M903239		It is a high temperature part. Do not touch the part.
4	M907935		There is a dangerous voltage inside.
5	M912054		It is a moving part. Because there is a possibility of danger by being caught, keep your fingers or body away from there.

Name of Each Part

Front side

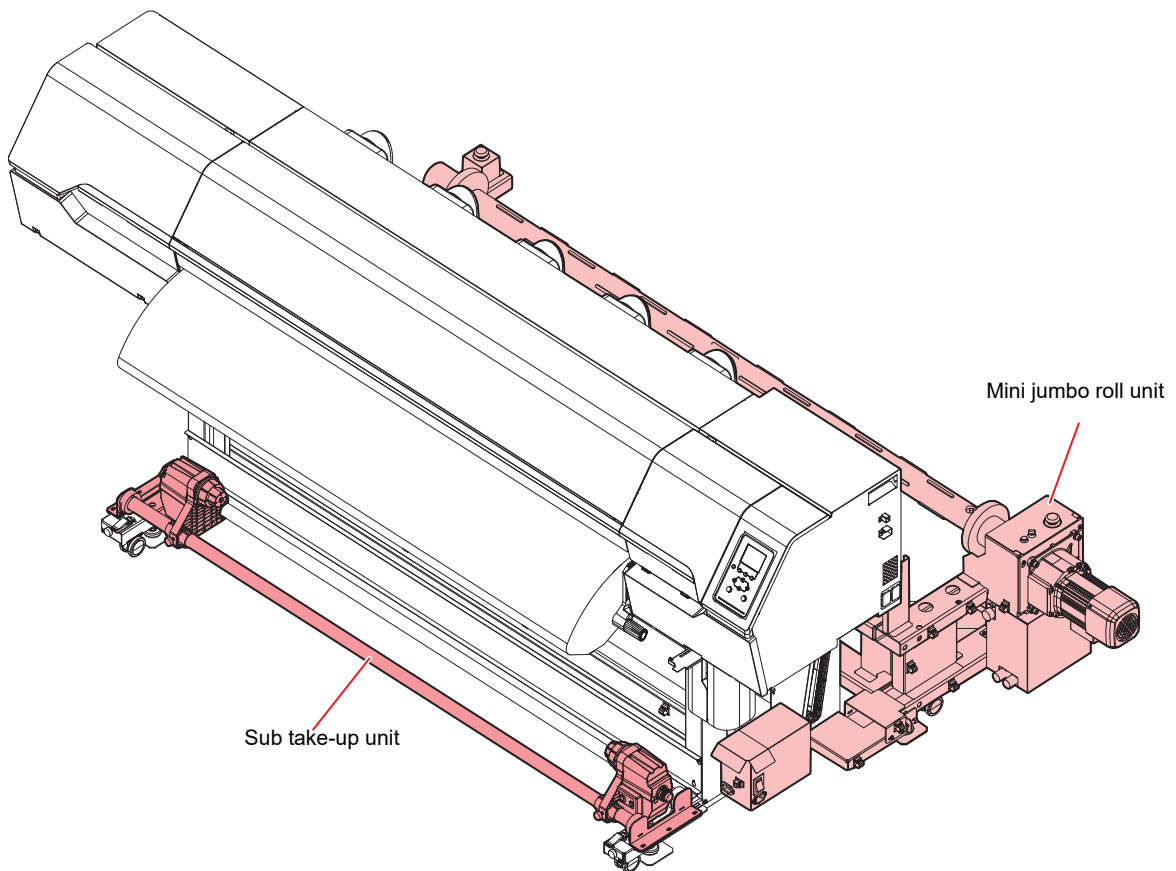


Rear side



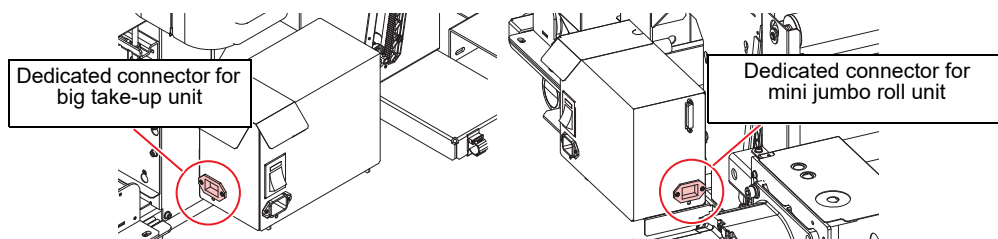
Combination of optional units

Mini jumbo roll unit and sub take-up unit



important!

- The outlet connector on the OPT electrical box is a dedicated connector for the big take-up unit and the mini jumbo roll unit. Do not use it for any other purpose.



Select / switch the unit to be used

1 Lower the clamp lever.

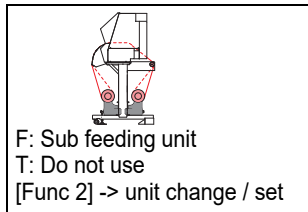
2 In local mode, press the **ENTER** key three times.

- The currently active unit is displayed.

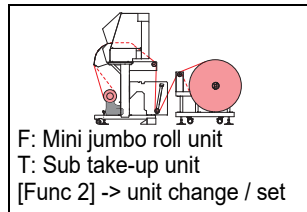
< Display screen >

Setting 1		
<< Start media detection		
Post1	Post2	Option
35/35	35/35	60/60
○	○	○
Menu	Cleaning	

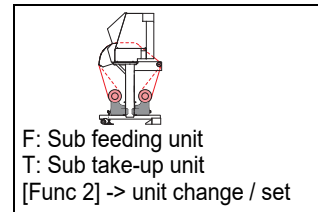
<Display Screen for Each Unit Combination>



Sub feeding unit x unused



Mini jumbo roll unit x sub take-up unit



Sub feeding unit x sub take-up unit

3 Press the **FUNC2** key to switch the unit to be used.

- (1) Select the unit to be used on the feeding side.

Unit change / set
Use on the feeding side
Select a unit
Mini jumbo roll unit
Sub feeding unit

- (2) Select the unit to be used on the take-up side.



- Execute the setup sequence only when necessary.

Unit change / set
Use on the take-up side
Select a unit
Big take-up unit
Sub take-up unit
Do not use

Set media

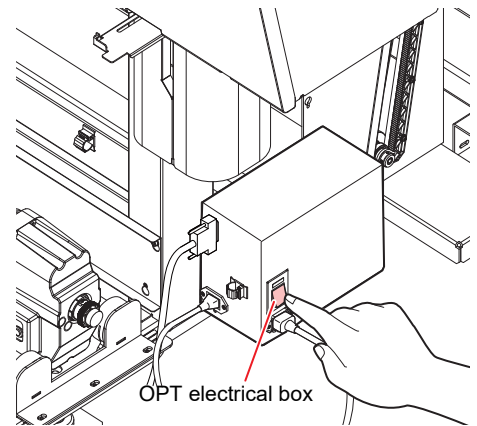


- To set roll media, work with three or more people.
- Use a media lifter with a load capacity of 315 kg or more for the roll media set.

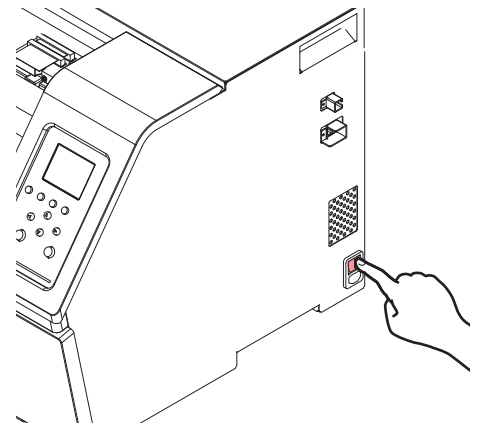
Important!

- An air compressor is required for the roll media set. (Discharge pressure 0.5 MPa recommended)

1 Turn on the power switch of OPT electrical box.



2 Turn on the main power switch of the printer.



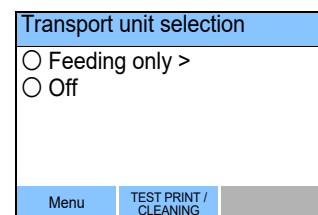
3 Press the [POWER BUTTON] on the operation panel.

- From the [Transport unit selection] screen, select the transport unit to be used.

When using mini jumbo roll unit	Feeding only
When mini jumbo roll unit is not used	Off

- Alternatively, press the **ENTER** key three times from the local screen and change the unit to be used with the **FUNC2** key.

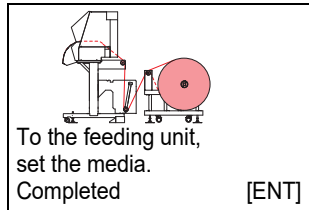
< Display screen >



4 Set the media on the air shaft.

- (1) Rotate the air shaft with the [FUNC2] key to make the air shaft insertion port upward.

< Display screen >



- When the media is set on the machine itself, the [FUNC 2] key is invalid.

- (2) Tilt the shaft fixing.



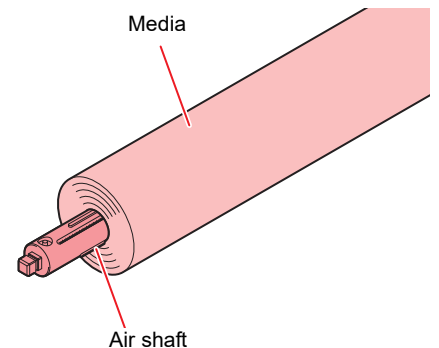
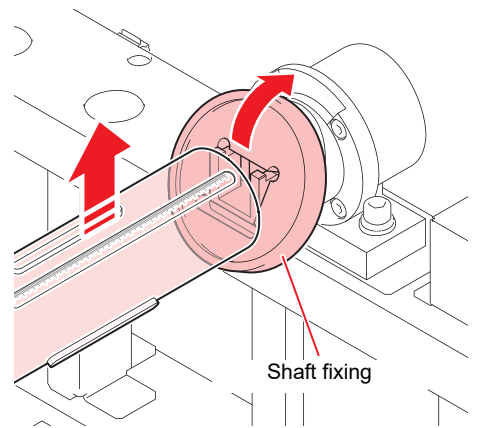
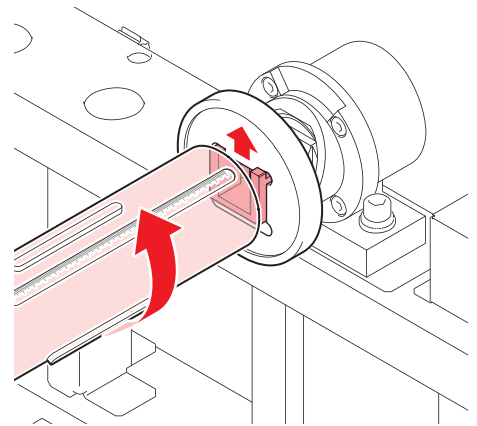
- Before tilting the shaft fixing, always make sure that the air shaft insertion port faces upward.



- When the power is off, the shaft will not rotate.
- Be careful not to pinch your hands and fingers when applying force when moving the shaft fixing.
- The shaft fixing is set heavier for safety reason. Use plastic hammer etc. when it is difficult to move.

- (3) Remove the air shaft.

- (4) Pass the air shaft through the media.

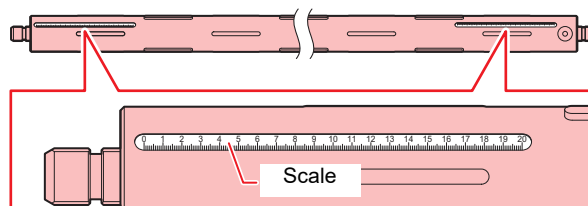


- (5) Adjust the position of the air shaft, fix the media by inserting air into the air shaft with the attached Air Nozzle.

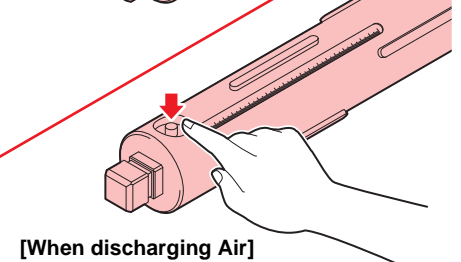
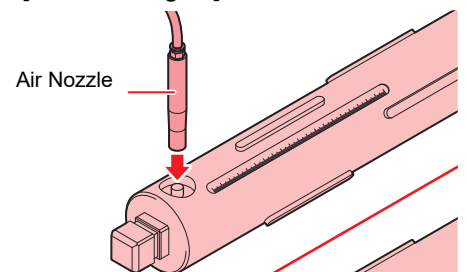


- Set so that the scale on both ends of the air shaft has the same value.

[Set position of media]

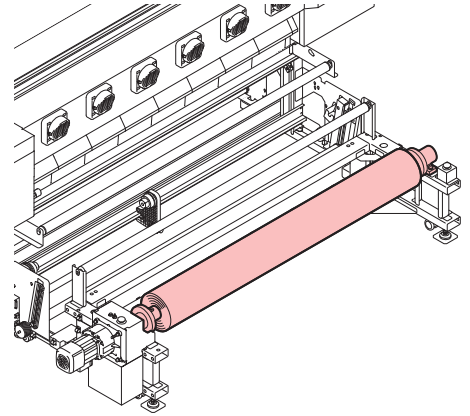


[When entering Air]



- If the air is insufficient, the media runs idle and transport failure occurs.

(6) Move the media to the shaft fixing position.



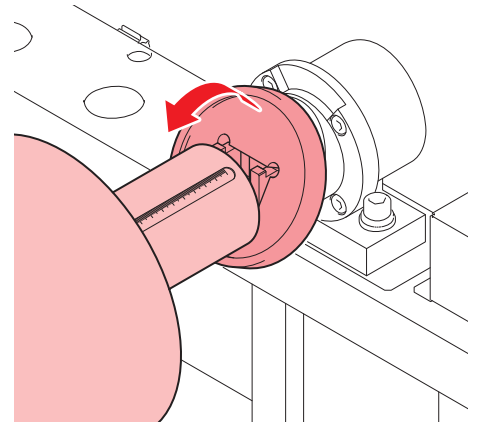
(7) Lower the media and fix the shaft.



- Be sure to fix the shaft securely. Rotating the media without fixing may cause the air shaft to come off and it is dangerous.

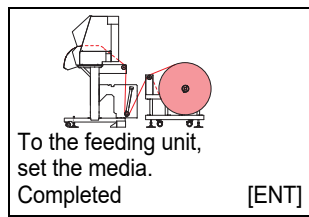


- Be careful not to pinch your hands and fingers when applying force when moving the shaft fixing.
- The shaft fixing is set heavier for safety reason. Use plastic hammer etc. when it is difficult to move.

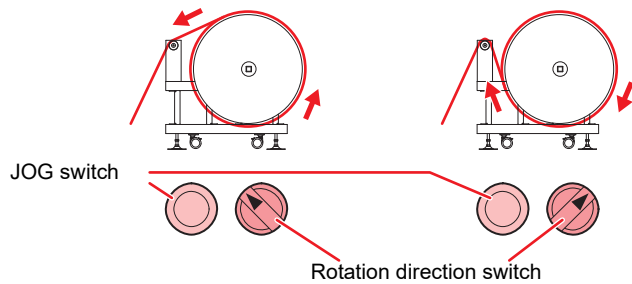


5 Pass media through the printer.

< Display screen >

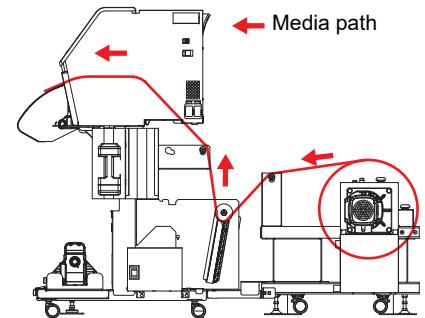
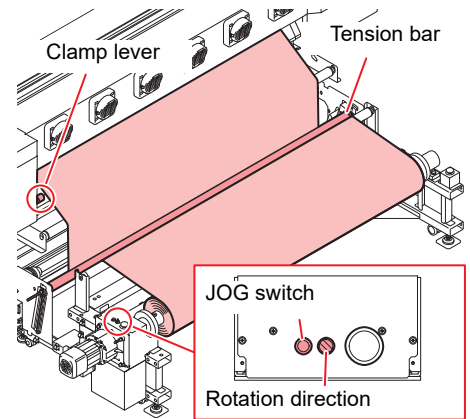


- (1) Rotate the media with the tension bar raised.
 - Feed the media with the JOG switch.
 - Change the direction of rotation with the rotation direction switch.

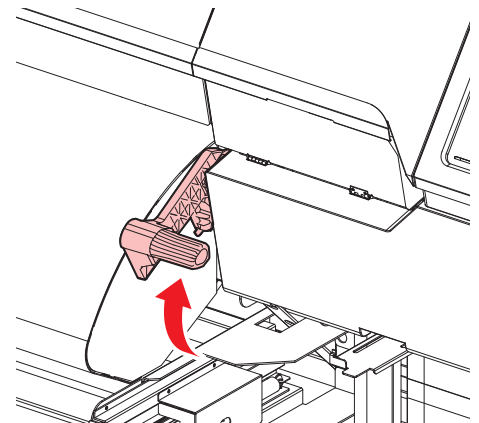


- If weight 200 is added to the tension bar on the mini jumbo side, remove it when passing the media.

- (2) Raise the clamp lever.
- (3) Pass the media over the platen.
- (4) Lower the clamp lever and temporarily press the media.



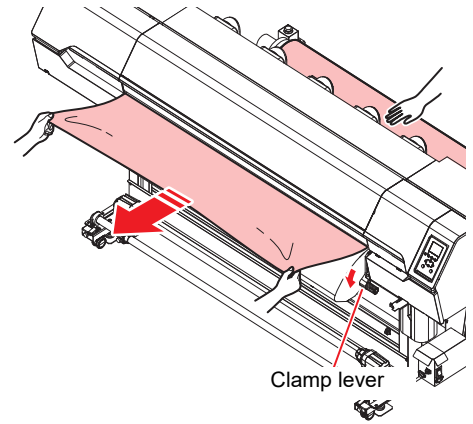
6 Raise the clamp lever on the front of the printer.



7 Pull the media lightly by hand to remove wrinkles on the surface, and lower the clamp lever.



- Pressing the [FUNC1] key sets to the [Stay Mode]. You can prevent the air shaft from rotating when pulling out the media.

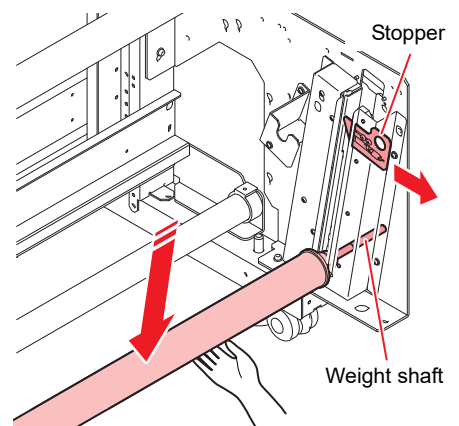
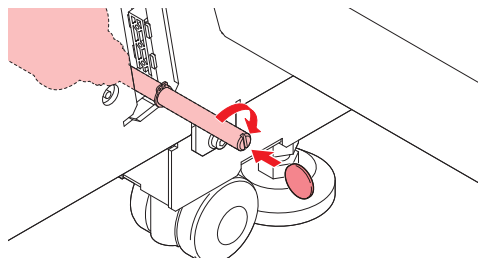


8 Lower the tension bar on the mini jumbo side.

- Continue feeding the media with the mini jumbo JOG switch until the tension bar lowers to the bottom.



- Put the tension bar with your hands down.
If you release the stopper without attaching a hand, the tension bar falls and it is dangerous.
- In case of dropping it, the weight shaft (horizontal shaft) comes loose. Firmly tighten with a coin or flat head screwdriver. If it is used with looseness, the weight shaft may be deformed or damaged.



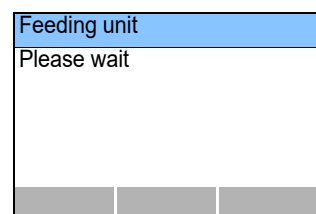
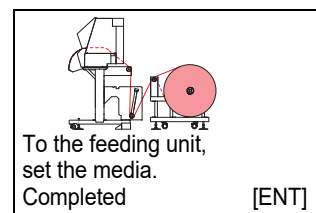
9 Press the **ENTER** key.

- The tension bar is automatically initialized.



- [Feeding tension bar] When an error occurs:
- Lower the tension bar to the bottom with the JOG switch and retry.
 - Be careful not to slack the media too much when retrying.

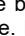
< Display screen >

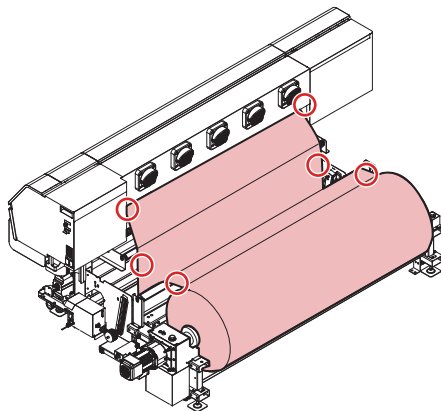


10 Press the key.

- The tension bar moves.



- Touch the place marked  in the figure below to confirm the tension of the media on the feeding side. If the tension of the media is not uniform or there is a difference between left and right media, set the media again.



Good



The media is stretched to the left and right

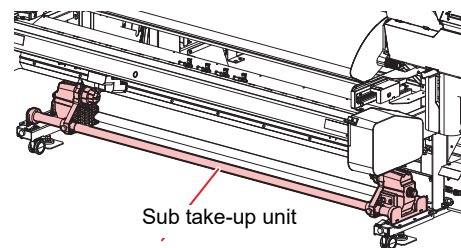
No good



One side of the media is sagging

- If the media is not dry enough, the media edge on the take-up side may be displaced. The roll winds down partially and the media may interfere with the extended heater. In that case, raise the temperature of the extended heater.

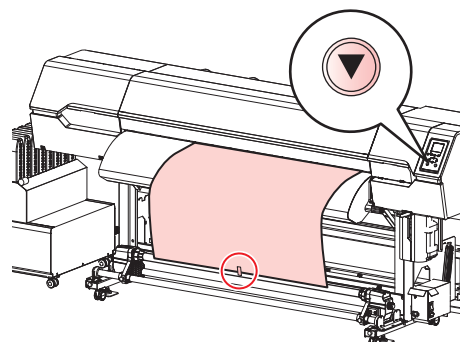
11 Load an empty core on the take-up unit.



Sub take-up unit

12 Press the key to feed the media.

- Feed the media that can be wrapped around the paper core.



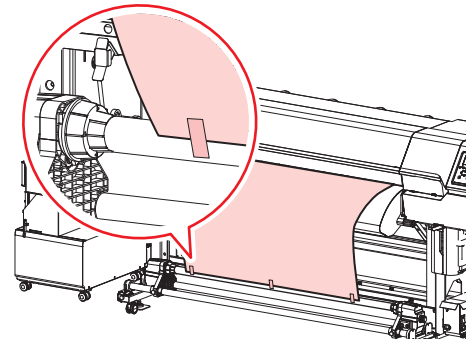
13 Fix the media to the roll shaft.

(1) Fix the center of the media with adhesive tape.

(2) Similarly fix the left and right sides of the media.



- Pull the media evenly to the left and right, check that there is no slack or wrinkle, and paste the tape.
- It is recommended that the taking-up direction of the media is inward (the printed side is inside).



14 Feed the media about one and a half around the paper core.



- Be sure to check the remaining amount of ink and the amount of waste ink before starting printing. If ink runs short or the waste ink tank fills up, printing stops halfway.



- The paper core is a consumable item. Recommend to prepare enough. For paper cores, contact your dealer, our sales office or call center.



- Leaving media loaded in the printer may cause the media to absorb moisture and wrinkle. When not in use, cover the outer edge with plastic wrap or film.

Error list

Display	Cause	Measures
Invalid Operation Feeding LimitDetect	The function can not be executed, since the upper limit of the feeding tension bar position is detected.	<ul style="list-style-type: none"> Execute the function after lowering the feeding tension bar.
Invalid Operation Feeding Wrong	The function can not be executed, since the feeding tension bar is not moving from the lower limit position.	<ul style="list-style-type: none"> Execute the function after confirming that the feeding unit operates normally with the JOG switch.
Invalid Operation Feeding CoverOpen	The function can not be executed because the cover of feeding unit is open.	<ul style="list-style-type: none"> Execute the operation after closing the cover of feeding unit.
Invalid Operation Take-up Connect	The function can not be executed because the connection between feeding and take-up is reversed,	<ul style="list-style-type: none"> Restart the machine. If displaying again, contact your local distributor, our sales office, or service center.
Invalid Operation Feeding Connect	The function can not be executed because the connection between feeding and take-up is reversed,	<ul style="list-style-type: none"> Restart the machine. If displaying again, contact your local distributor, our sales office, or service center.
Invalid Operation Feeding Unit None	The function can not be executed because the feeding unit is not connected.	
Invalid Operation Feeding EmerSW On	The function can not be executed because the emergency stop switch of the feeding unit is pushed.	<ul style="list-style-type: none"> Execute the operation after releasing the emergency stop switch of the feeding unit.
Invalid Operation Feeding Unit Power	The function can not be executed because the normal state of the inverter of the feeding unit can not be confirmed.	<ul style="list-style-type: none"> Restart the machine. If displaying again, contact your local distributor, our sales office, or service center.
Invalid Operation Feeding Relay Welding	The function can not be executed because there is a possibility that the relay of the feeding unit is broken.	<ul style="list-style-type: none"> Restart the machine. If displaying again, contact your local distributor, our sales office, or service center.
Attention 42A Feeding LimitDetect	The upper limit of the feeding tension bar position is detected.	<ul style="list-style-type: none"> Lower the feeding tension bar.
Attention 426 Feeding Wrong	The feeding tension bar is not moving from the lower limit position.	<ul style="list-style-type: none"> Make sure the feeding unit operates normally with MANUAL operation.
Information 428 Feeding CoverOpen	The cover of the feeding unit is open.	<ul style="list-style-type: none"> Close the cover of the feeding unit.
Error 433 Feeding Connect	The connection between take-up and feeding is reversed.	<ul style="list-style-type: none"> Restart the machine. If displaying again, contact your local distributor, our sales office, or service center.
Error 443 Feeding Connect	The Feeding unit is not connected.	<ul style="list-style-type: none"> Restart the machine. If displaying again, contact your local distributor, our sales office, or service center.
Attention 486 Feeding EmerSW On	The emergency stop switch of the feeding unit is pushed.	<ul style="list-style-type: none"> Release the emergency stop switch of the feeding unit.
Attention 484 Feeding Unit Power	The normal state of the inverter of the feeding unit can not be confirmed.	<ul style="list-style-type: none"> Make sure that the power switch of the OPT electrical box is on. If displaying again, contact your local distributor, our sales office, or service center.
Error 488 Feeding Relay Weld	There is a possibility that the relay of the feeding unit is broken.	<ul style="list-style-type: none"> Restart the machine. If displaying again, contact your local distributor, our sales office, or service center.
Error 403 X CURRENT	Overcurrent error of X motor was detected.	<ul style="list-style-type: none"> Turn off the power on the machine and turn it on after a while. If displaying again, contact your local distributor, our sales office, or service center.
Attention 450 Feeding Roll Sns Err	Can not read the feeding shaft sensor correctly.	<ul style="list-style-type: none"> Check the setting condition of the media. Check that the feeding unit operates with the JOG switch.

Display	Cause	Measures
Attention 482 Feeding Shaft Position	The feeding roll shaft could not be moved to the takeout position.	<ul style="list-style-type: none">• Restart the machine. If displaying again, contact your local distributor, our sales office, or service center.

Specifications

Item		Contents
Settable media	Maximum weight	Take-up: 45 kg / feed: 300 kg
	Maximum diameter	Take-up: 250mm / feed: 600 mm
	Maximum width	1600mm (maximum printing width: 1610mm,When media edge guide is used:200mm)
Power supply specification *1		Single-phase AC200 ~ 240V x1
Power consumption		1.0 kW or less
Outer dimensions (W x D x H)*2	Single item dimension	2773mm x 988mm x 742mm
	Installed to the machine	3360mm x 1790mm x 1305mm
Weight		27kg

*1.Note that the power supply specification differs from the printer.

*2. When the mini jumbo roll maximum diameter (dia. 600) is installed

はじめに

この度は、搬送ユニットをお買いあげいただき、誠にありがとうございます。

取扱説明書について

- 本書は、搬送ユニットの操作について説明いたします。
- 本書をお読みになり、十分理解してからお使いください。また、本書をいつも手元に置いてお使いください。
- 本書は、搬送ユニットをお使いになる担当者のお手元に確実に届くようお取りはからってください。
- 本書は、内容について十分注意して作成していますが、万一不審な点がありましたら、販売店または弊社営業所までご連絡ください。
- 本書は、改良のため予告なく変更する場合があります。ご了承ください。
- 本書が焼失／破損などの理由により読めなくなった場合は、新しい取扱説明書を弊社営業所にてお買い求めください。

ご注意

株式会社ミマキエンジニアリングの保証規定に定めるものを除き、本製品の使用または使用不能から生ずるいかなる損害（逸失利益、間接損害、特別損害またはその他の金銭的損害を含み、これらに限定しない）に関して一切の責任を負わないものとします。

また、株式会社ミマキエンジニアリングに損害の可能性について知らされていた場合も同様とします。

一例として、本製品を使用したメディア等の損失や、作成された物によって生じた間接的な損失等の責任負担もしないものとします。

搬送ユニットを使用したことによる金銭上の損害および逸失利益、または第三者からのいかなる請求についても、当社は一切その責任を負いかねますので、あらかじめご了承ください。

本書の内容を無断で転載することは禁止されています。

©2022 株式会社ミマキエンジニアリング









All Rights Reserved.Copyright

安全にお使いいただくために


マーク表示について

本書では、マーク表示により操作上の注意内容を説明しています。注意内容により表示するマークは異なります。各マーク表示の持つ意味を理解し、本機を安全に正しくお使いください。






マーク表示の例

内 容		
 警告	警告	この指示を無視して誤った取り扱いをすると、死亡または重傷のおそれがある内容を示しています。必ずよくお読みになり、正しくお使いください。
 注意	注意	この指示を無視して誤った取り扱いをすると、軽傷または中程度の負傷のおそれがある内容を示しています。
 一般警告	一般警告	注意しなければならない事項を示しています。具体的な注意事項は図の中に描かれます。
 一般強制指示	一般強制指示	実行しなければならない事項を示しています。具体的な指示内容は図の中に描かれます。
 一般禁止	一般禁止	してはいけない事項を示しています。具体的な禁止内容は図の中に描かれます。
 重要	重要	「重要」マークは、本機をお使いいただく上で、知っておいていただきたい内容が書かれています。操作の参考にしてください。
 ヒント	ヒント	「ヒント」マークは、知っておくと便利なことが書かれています。操作の参考にしてください。
 参照情報	参照情報	関連する内容の参照ページを示しています。文字をクリックすると該当ページが表示されます。





設置上のご注意

 注意	
次のような場所には設置しない	
 <ul style="list-style-type: none">• 直射日光が当たる場所• 水平でない場所• 振動が発生する場所• エアコンなどの風が直接当たる場所• 火を使う場所	 <ul style="list-style-type: none">• 温度や湿度の変化が激しい場所（推奨する使用環境は、接続するプリンターによって異なります。プリンターの取扱説明書をご確認ください。）

警告事項

 警告	
	<ul style="list-style-type: none"> 同梱されている電源コードセットは本機専用です。本機以外の電気機器には使用できません。また、同梱されている電源コードセット以外の電源コードセットは、本機には使用しないでください。火災や感電の原因になります。 電源ケーブルを傷つけたり、破損したり、加工しないでください。また、重い物をのせたり、加熱したり、引っ張ったりすると電源ケーブルが破損し、火災・感電の原因になります。 万一、煙が出ている、変な臭いがするなどの異常事態のまま使用すると、火災・感電の原因になります。すぐに、電源スイッチをオフにして、その後必ずプラグをコンセントから抜いてください。煙が出なくなるのを確認してから、販売店または弊社営業所に修理をご依頼ください。お客様による修理は危険ですから絶対に行わないでください。 メディア搬送面のヒーターにホコリやゴミ等が附着しないようにしてください。発火、火災の原因になります。 延長コードは使用しないでください。火災や感電の原因になります。 電源プラグの刃に金属などが触れると、火災や感電の原因になります。 タコ足配線をしないでください。火災や感電の原因になります。 電源コードが傷んだり、芯線の露出・断線などが見られるときはサービス実施店に交換を依頼してください。そのまま使用すると火災や感電の原因になります。 濡れた手で電源プラグを抜き差ししないでください。感電の原因になります。 電源プラグを抜くときは、必ず電源プラグを持って抜いてください。電源コードを引っばらないでください。コードが傷つき、火災や感電の原因になります。 表示された電源電圧以外の電圧で使用しないでください。火災や感電の原因になります。 表示された電源周波数以外では使用しないでください。火災や感電の原因になります。 危険な可動部に、指や体の他の部分を近づけないでください。 万一、金属、水、液体などの異物が本機内部に入ったときは、すぐに電源を切ってください。その後、必ず電源プラグをコンセントから抜いてサービス実施店に連絡してください。そのまま使用すると火災や感電の原因になります。 インク漏れが発生した場合は、主電源スイッチをオフにして電源プラグを抜いてから、販売店または弊社営業所、コールセンターにお問い合わせください。 本機を移動する場合は、最寄のサービス店にご相談ください。 この機器は子供がいる可能性のある場所での使用には適していません。
	<ul style="list-style-type: none"> 本機の近くまたは内部で可燃性のスプレーや引火性溶剤などを使用しないでください。引火による火災や感電の原因になります。 本機の上や近くに花瓶、植木鉢、コップ、化粧品、薬品、水などの入った容器または小さな金属物を置かないでください。こぼれたり、中に入ったりすると、火災や感電の原因になります。
分解・改造はしない	湿気の多い場所では使用しない
	<ul style="list-style-type: none"> 本機の分解・改造は、絶対に行わないでください。感電や故障の原因になります。
	<ul style="list-style-type: none"> 湿気の多い場所での使用や、装置に水をかけないでください。火災や感電、故障の原因になります。

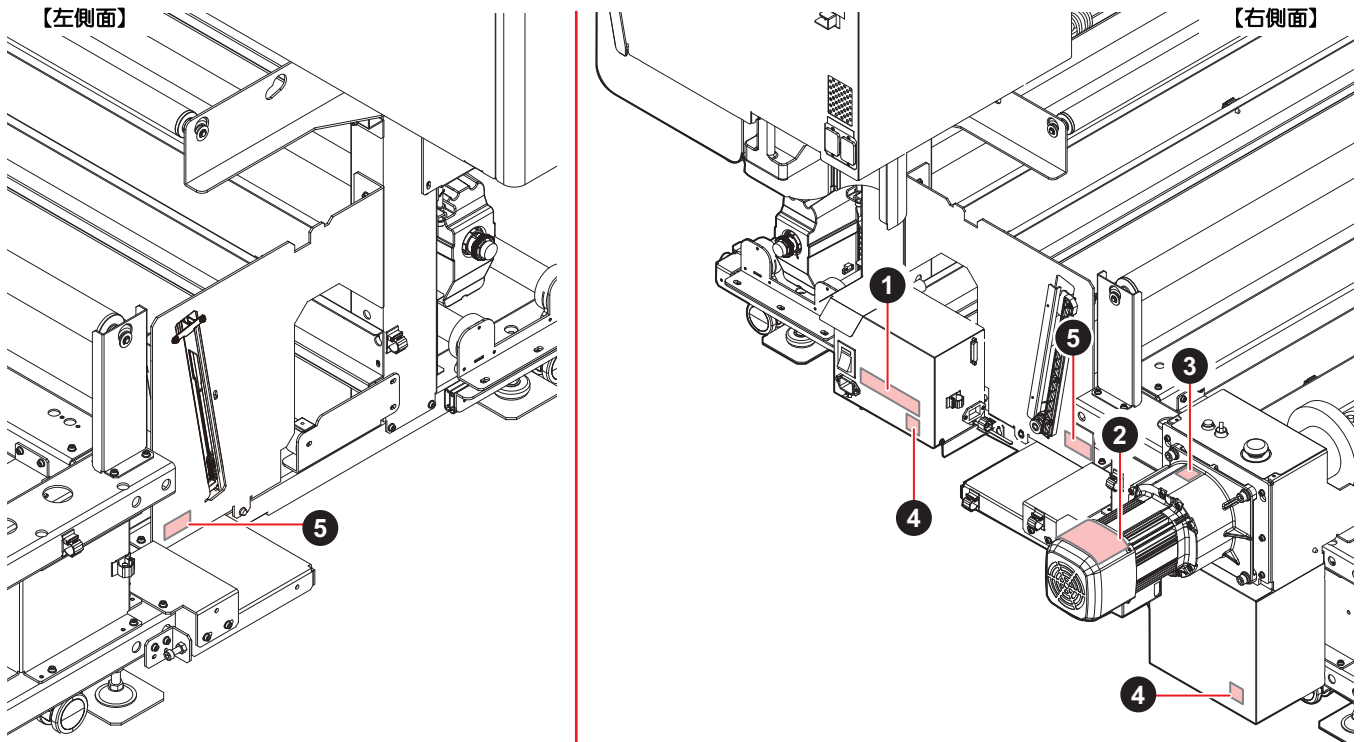
注意事項

 注意	
電源供給について	
	<ul style="list-style-type: none"> プレーカーは常時オンにしておいてください。 側面にある主電源スイッチはオフにしないでください。
電源ケーブルについて	
	<ul style="list-style-type: none"> 極性付きのコンセントに接続してください。 必ず本機の近くにある電源コンセントに接続し、容易に取り外しができるようにしてください。 電源プラグは年に 1 回以上コンセントから抜いて、プラグの刃と刃の周辺部分を清掃してください。ほこりがたまると、火災の原因になります。 表示された電源電圧以外の電圧で使用しないでください。 電源を接続する際には、電源コンセントの入力電圧、プレーカーの容量を確認し、それぞれのケーブルはプレーカーが独立している別の電源に接続してください。同じプレーカーにつながっているコンセントに接続すると、プレーカーが遮断することがあります。
ヒーターについて	
	<ul style="list-style-type: none"> メディア搬送面上に液体をかけないでください。ヒーターの故障や発火の原因になります。 メディア搬送面のヒーターが熱いうちに素手で触らないでください。火傷の原因になります。

警告ラベルについて

本機には、以下の警告ラベルが貼ってあります。警告ラベルの内容を十分理解してください。

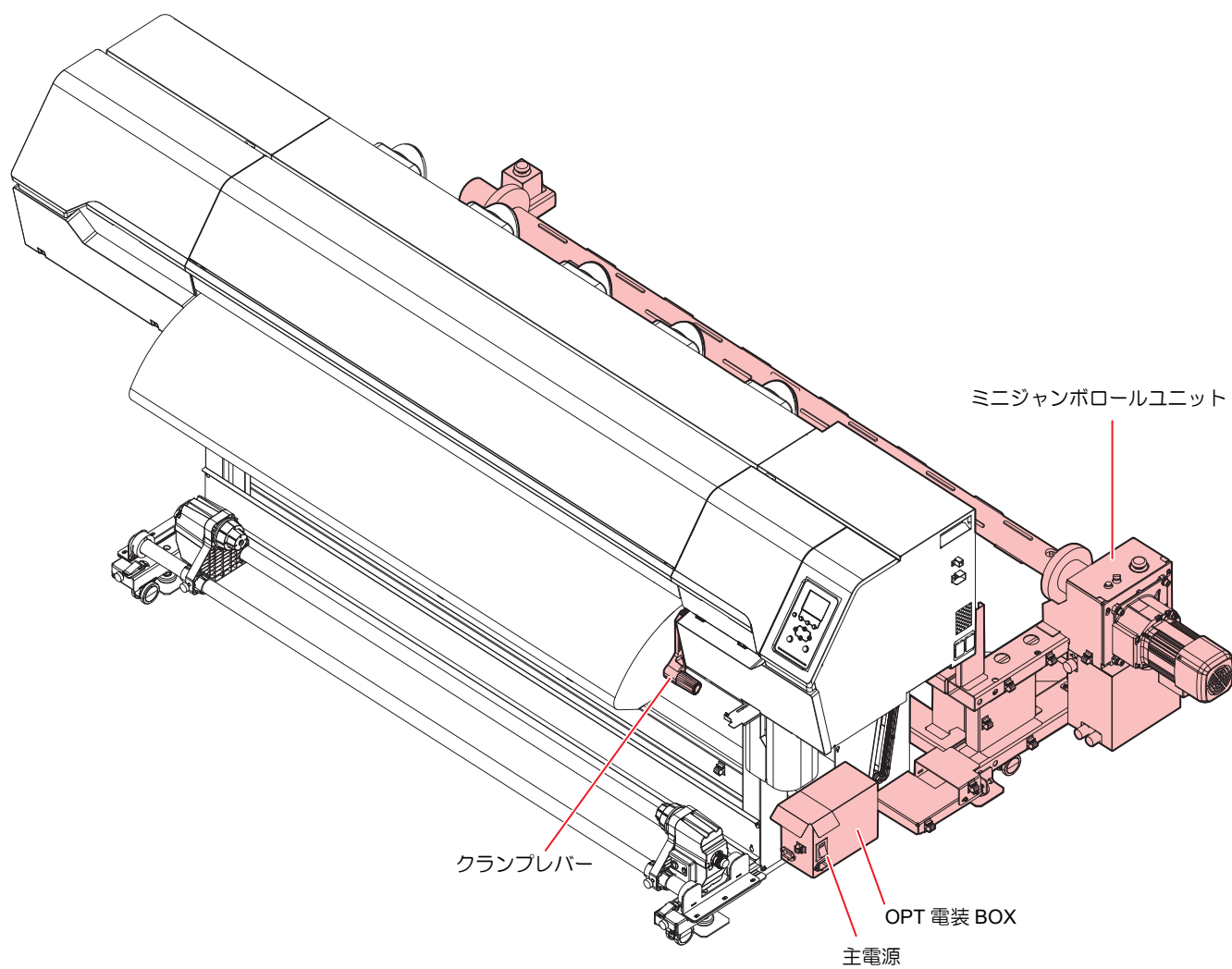
なお、警告ラベルが汚れて読めなくなったり剥がれた場合は、新しい警告ラベルを販売店または弊社営業所にてお買い求めください。



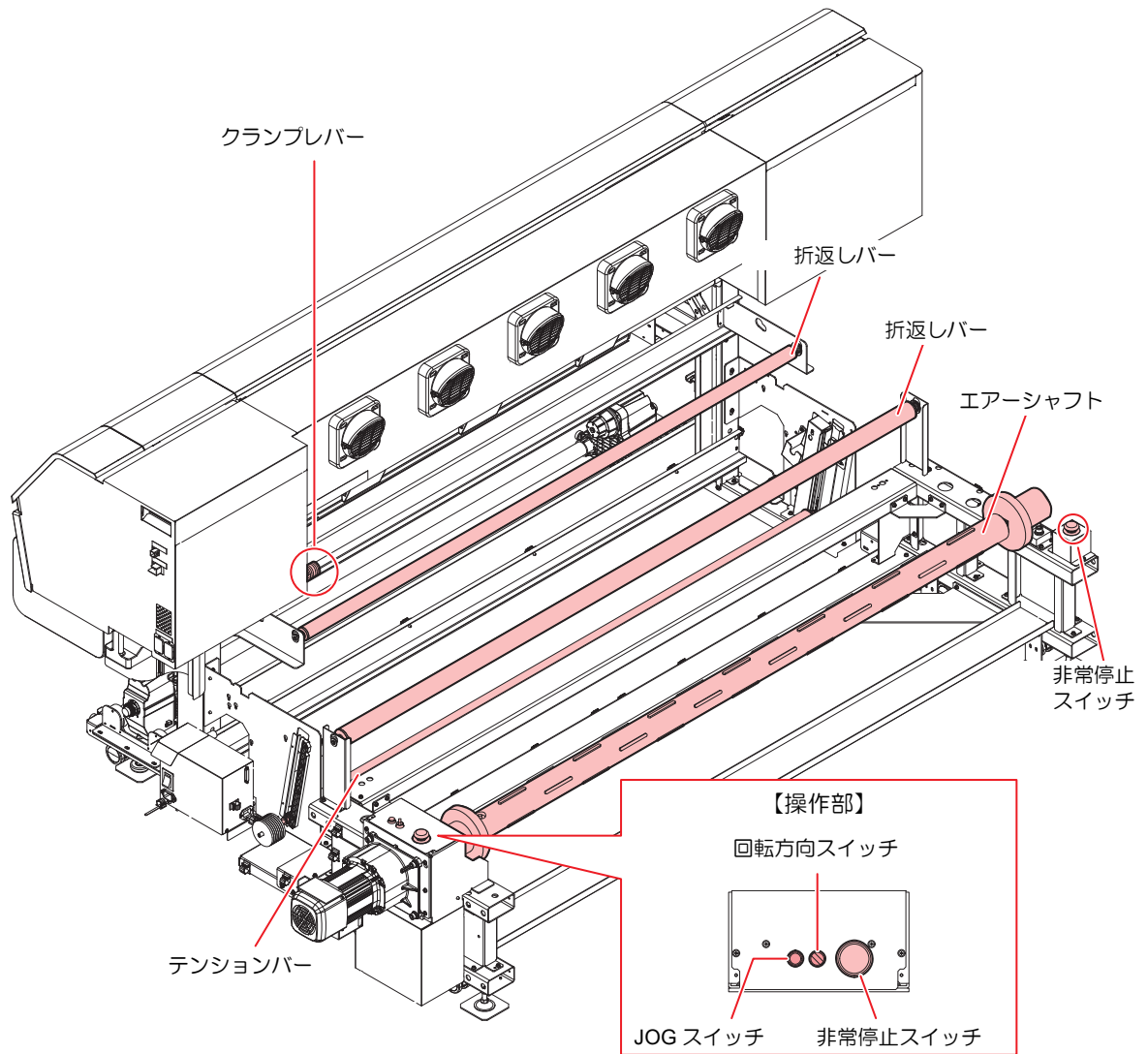
No.	注文番号	ラベル	説明
1	M916035	<p>There is another power cable in addition to the power cable of this unit. To avoid electric shock etc., in case of power off, unplug all power cables.</p> <p>Il y a un autre câble d'alimentation en plus de celui de cette unité. électriques etc., pour éteindre le courant, il faut débrancher tous les câbles d'alimentation.</p> <p>本ユニットの電源ケーブルとは別に電源ケーブルがある。 感電等の危険があるため、電源をオフする場合はすべての電源ケーブルを抜くこと。</p>	感電等の危険があるため、主電源をオフする場合は、すべての電源をオフにして、ケーブルを抜いてください。
2	M907764	<p>上部に乗るな DO NOT STEP ON TOP NE GRIMPEZ PAS DESSUS</p>	破損の可能性があるため、乗ったり、物を置いたりしないでください。
3	M903239		高温部分です。 部品に触れないでください。
4	M907935		内部に危険電圧があります。
5	M912054		可動部です。挟み込む危険があるため、指や体を近づけないでください。

各部の名称

装置前面

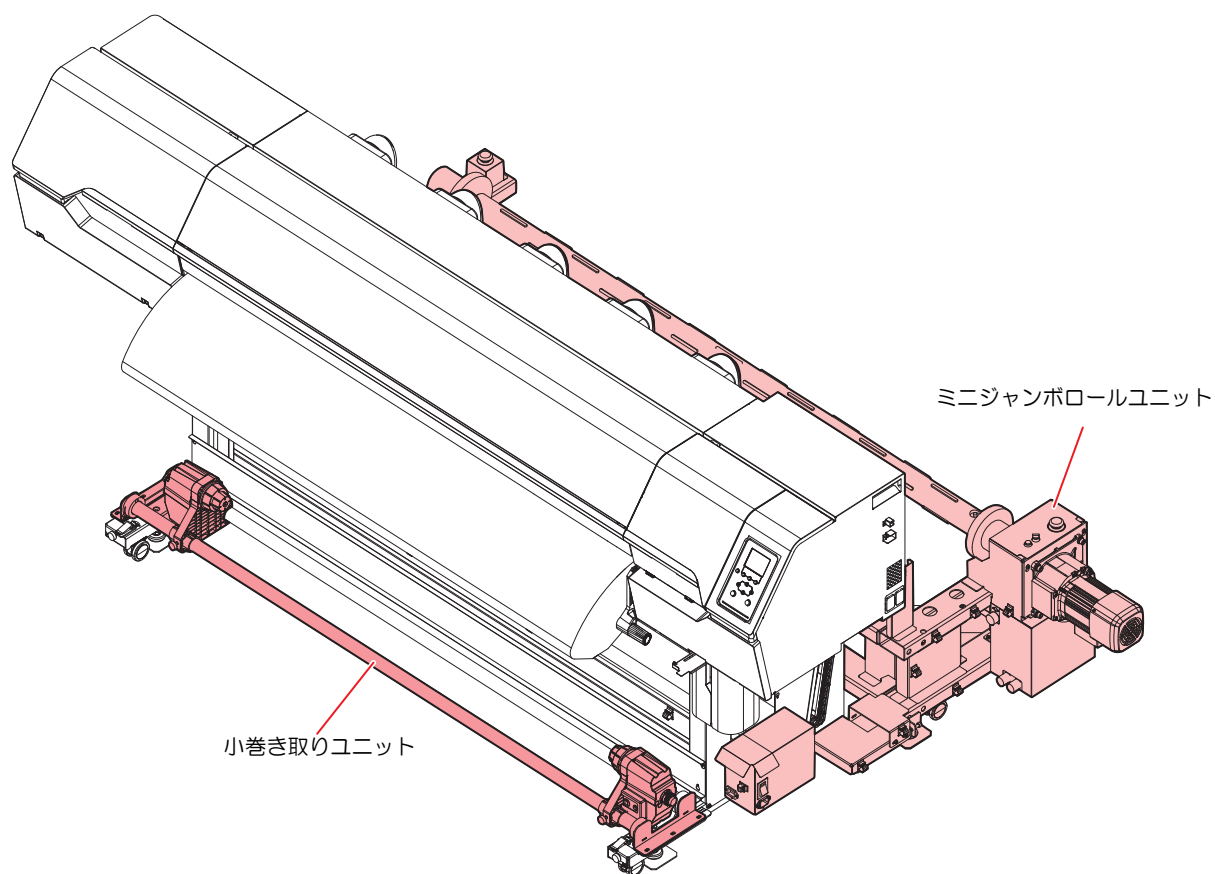


装置背面



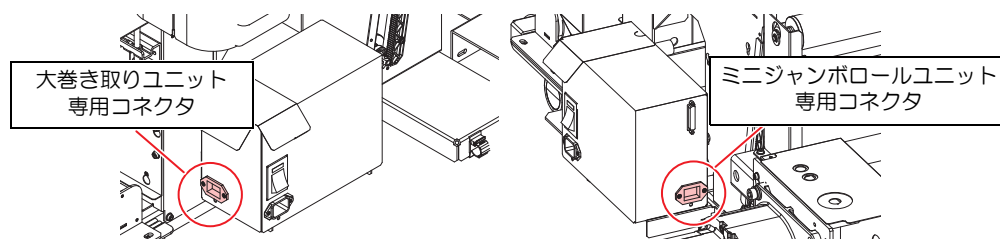
オプションユニットの組み合わせ

ミニジャンボロールユニットと小巻き取りユニット



重要!

- OPT 電装 BOX のアウトレットコネクタは大巻き取りユニット及び、ミニジャンボロールユニットの専用コネクタになります。他の用途では使用しないでください。



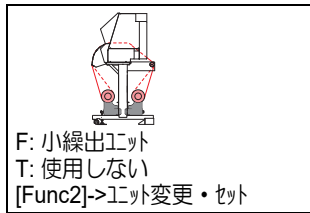
使用するユニットの選択 / 切り替え

- 1 クランプレバーを下げる。
- 2 ローカルモードで、**ENTER** キーを3回押す。
 - ・ 現在有効なユニットが表示されます。

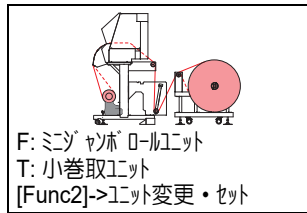
<表示画面>

設定1		
<< メディア検出実行		
Post1	Post2	Option
35/35	35/35	60/60
● ● ● ● ● ● ● ●	● ● ● ● ● ● ● ●	● ● ● ● ● ● ● ●
Menu	Cleaning	

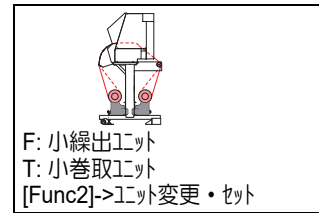
<ユニット組み合わせごとの表示画面>



小繰り出し x 未使用



ミニジャンボ x 小巻き取り



小繰り出し x 小巻き取り

- 3 **FUNC2** キーを押して、使用するユニットを切り替える。

(1) 繰り出し側で使用するユニットを選択する。

ユニット変更・セット
繰出側で使用する ユニットを選択してください ミニジャンボロールユニット 小繰出ユニット
■ ■ ■

(2) 巻き取り側で使用するユニットを選択する。



・ 必要な場合のみ、セットアップシーケンスを実施します。

ユニット変更・セット
巻取側で使用する ユニットを選択してください 小巻取ユニット 使用しない
■ ■ ■

メディアをセットする

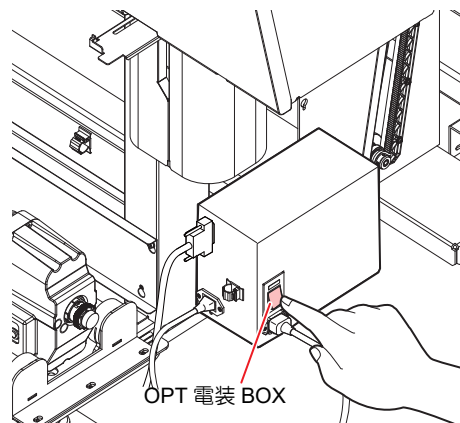


- ロールメディアのセットは、3人以上で作業してください。
- ロールメディアのセットには、耐荷重 315kg 以上のメディアリフターを使用してください。

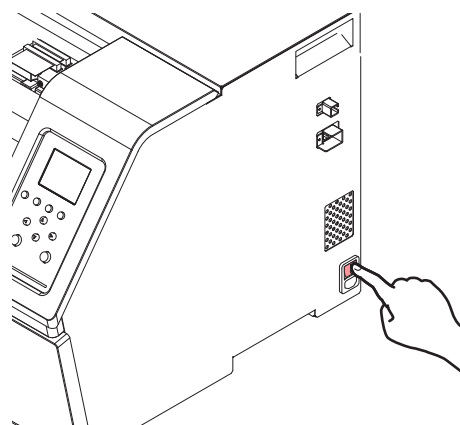
重要!

- ロールメディアのセットには、エアコンプレッサーが必要です。(吐出圧力 0.5MPa 推奨)

1 OPT 電装 BOX の電源スイッチをオンにする。



2 プリンター本体の主電源スイッチをオンにする。



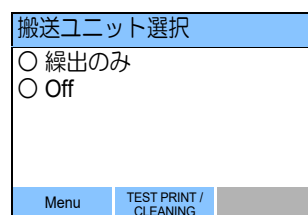
3 操作パネルの [電源ボタン] を押す。

- [搬送ユニット選択] 画面から、使用する搬送ユニットを選択します。

ミニジャンボロールユニットを使う場合	繰出のみ
ミニジャンボロールユニットを使わない場合	Off

- もしくは、ローカル画面から **ENTER** キーを 3 回押して、**FUNC2** キーで使用するユニットを切り替えます。

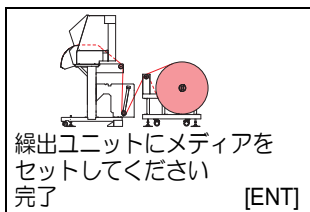
<表示画面>



4 メディアをエアシャフトにセットする。

- (1) [FUNC2] キーでエアシャフトを回転させ、エアシャフト挿入口を上に向ける。

<表示画面>



- メディアがマシン本体にセットされている場合は、[FUNC2] キーは無効になります。

- (2) シャフト固定を傾ける。



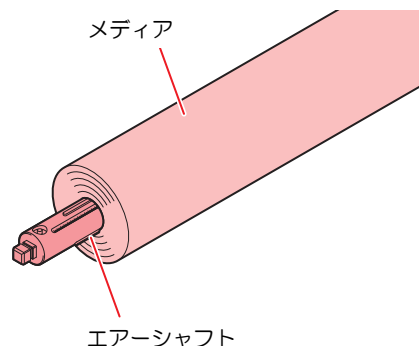
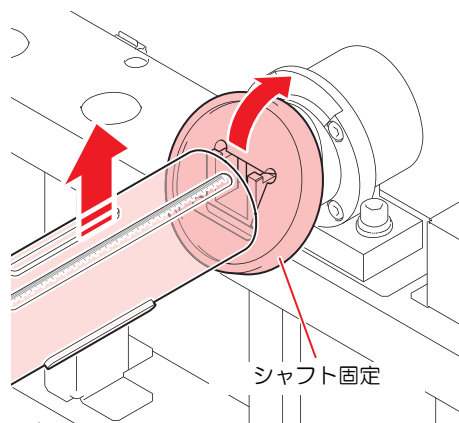
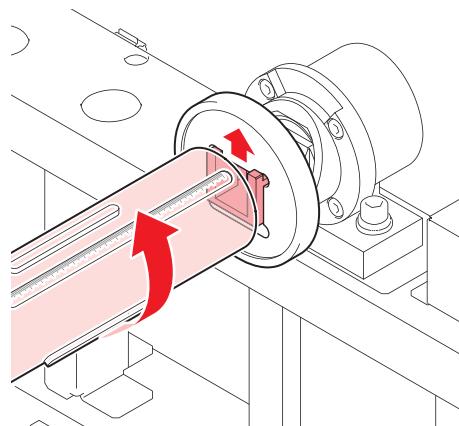
- シャフト固定を傾げる前に、必ずエアシャフト挿入口が上を向いていることをご確認ください。



- 電源オフ時には、シャフトは回転しません。
- シャフト固定の移動時、力を加えた際に手や指を挟まないようご注意ください。
- 安全のため、シャフト固定の動作は重くなっています。動かしにくい場合はプラスチックハンマー等をご使用ください。

- (3) エアシャフトを取り外す。

- (4) メディアにエアシャフトを通す。

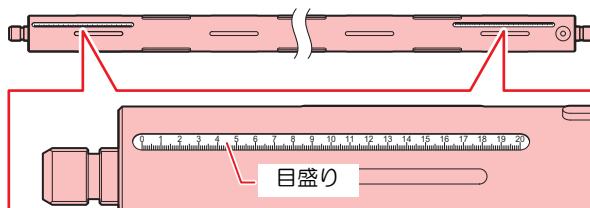


- (5) エアシャフトの位置を調整してから、付属の Air Nozzle で、エアシャフトにエアを入れてメディアを固定する。

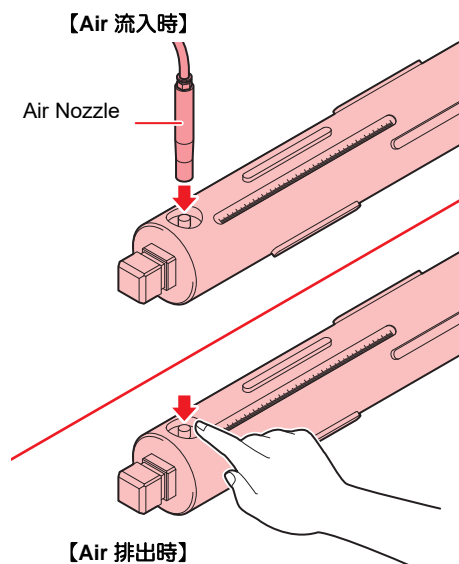


- エアシャフト両端の目盛りが、同じ値になるようにセットしてください。

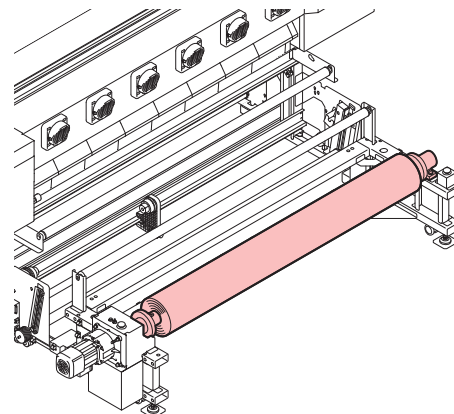
【メディアのセット位置】



- エアが足りないとメディアが空転して搬送不良が発生します。



(6) メディアをシャフト固定位置に移動させる。



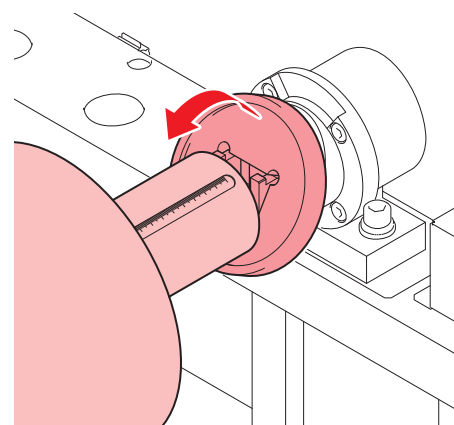
(7) メディアを下ろし、シャフトを固定する。



- シャフトは必ず確実に固定してください。固定せずにメディアを回転させると、エアシャフトが脱落する可能性があります危険です。

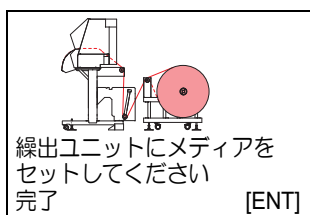


- シャフト固定の移動時、力を加えた際に手や指を挟まないようご注意ください。
- 安全のため、シャフト固定の動作は重くなっています。動かすににくい場合はプラスチックハンマー等をご使用ください。

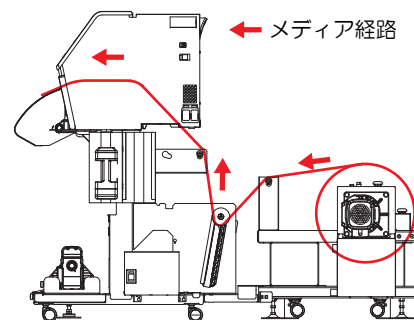
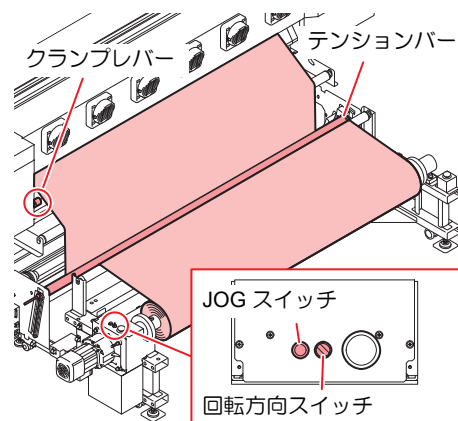
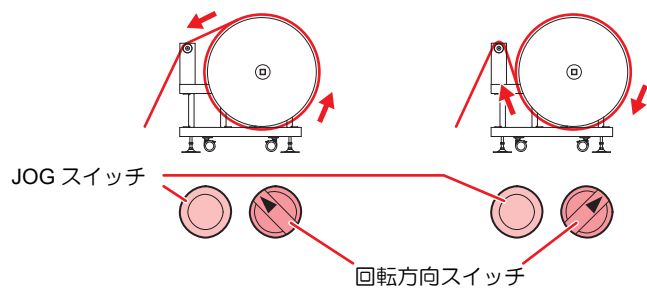


5 プリンター本体までメディアを通す。

<表示画面>

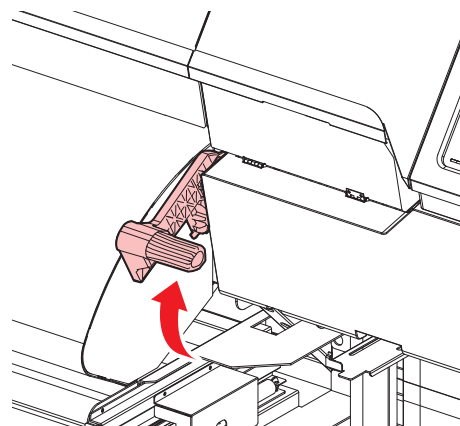


- (1) テンションバーを上げた状態でメディアを通す。
 - JOG スイッチでメディアを繰り出します。
 - 回転方向スイッチで回転方向を変更します。



- (2) クラムプレバーを上げる。
- (3) メディアをプラテン上まで通す。
- (4) クラムプレバーを下げ、メディアを仮押さえする。

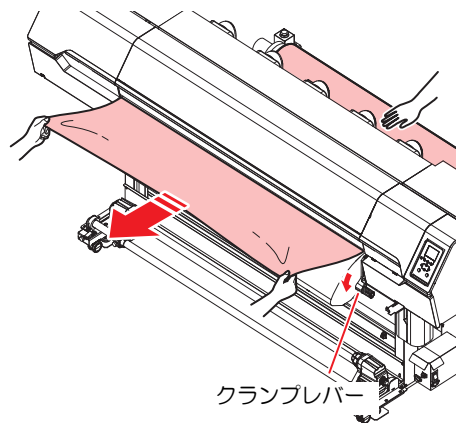
6 プリンター前面のクラムプレバーを上げる。



7 メディアを手で軽く引いて表面のシワなどを取り除き、クランプレバーを下げる。



- [FUNC1] キーを押すと [ステイモード] になり、メディアを引き出す際に、エアシャフトが回転してしまうのを防ぐことができます。

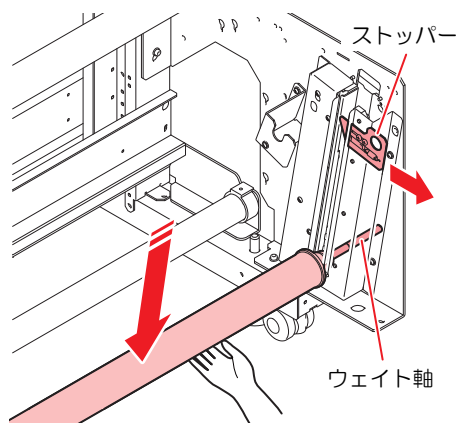
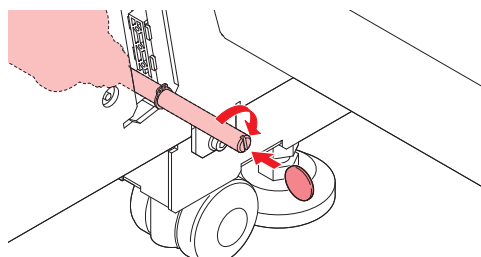


8 ミニジャンボ側のテンションバーを下げる。

- テンションバーが一番下に下がるまで、ミニジャンボの JOG スイッチでメディアを繰り出します。



- テンションバーは、手を添えて下ろしてください。手を添えずにストッパーを解除すると、テンションバーが落下して危険です。
- 落下させてしまった場合は、ウェイト軸 (横のシャフト) が緩みます。コインやマイナスドライバーを使ってしっかりと締めてください。緩んだまま使用すると、ウェイト軸が変形したり破損するおそれがあります。



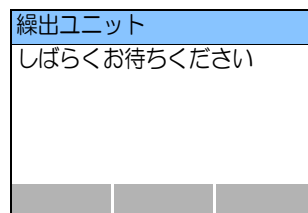
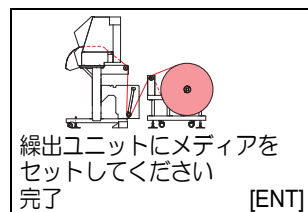
9 **ENTER** キーを押す。

- テンションバーが自動で初期化されます。



- [繰出テンションバー] エラーが発生する場合：
- JOG スイッチで、テンションバーを一番下まで下ろして、リトライしてください。
 - リトライする際、メディアがたるみ過ぎないように注意してください。

<表示画面>

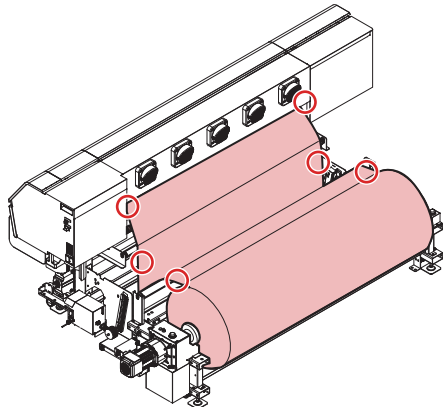


10 〻キーを押す。

- テンションバーが動作します。



- 下図の〇印のついた場所を触って、繰り出し側のメディアの張りを確認してください。メディアの張りが均一ではなかったり左右差がある場合は、メディアセットをやり直してください。



OK



左右ともにメディアが張っている状態

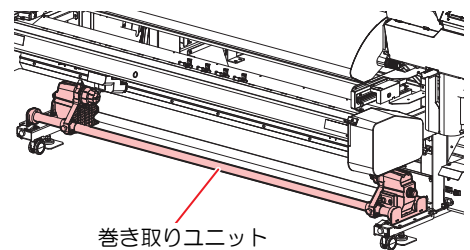
NG



片方のメディアがたるんでいる状態

- メディアが十分に乾燥していないと、巻き取り側の端面がすれるおそれがあります。また、部分的にロールの巻きが緩み、メディアが延長ヒーターに干渉するおそれがあります。その場合は、延長ヒーターの温度を上げてください。

11 巻き取りユニットに空の紙管をセットする。

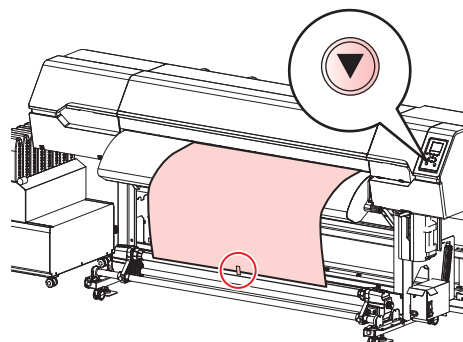


12 ◀キーを押してメディアをフィードする。

- 紙管に巻ける位メディアをフィードします。

13 ロール軸にメディアを固定する。

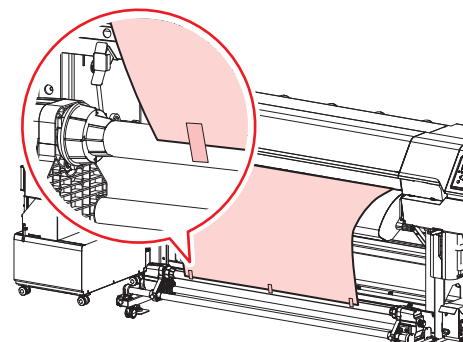
- (1) 粘着テープでメディアの中央を固定する。



- (2) 同様にメディアの左右を固定する。



- メディアを左右均等に引っ張り、たるみ・シワがないことを確認し、テープを貼ってください。
- メディアの巻き取り方向は、内巻き（印刷面が内側）を推奨します。



14 メディアをフィードして、紙管に1周半程度巻き付ける。



- 印刷開始前には必ずインク残量と廃インク量を確認してください。インクが不足したり廃インクタンクが満タンになると、印刷が途中で停止します。



- 紙管は消耗品です。多めに用意されることをお勧めいたします。紙管のお求めは、販売店または弊社営業所、コールセンターにお問い合わせください。



- プリンターにメディアを搭載したまま放置すと、メディアが湿気を吸収してしわが発生する可能性があります。使用しない場合、ラップやフィルムで外周を覆ってください。

エラー一覧

表示	原因	対処方法
実行できません 繰出 リミット ケンシュツ	繰出しテンションバー位置の上限を検出しているため、機能が実行できない。	• 繰出しテンションバーを下げてから機能を実行してください。
実行できません 繰出 動作異常	繰出しテンションバーが下限位置から動いていないため、機能が実行できない。	• JOG スイッチで繰出しユニットが正常に動作することを確認後、機能を実行してください。
実行できません 繰出 カバー OPEN	繰出しユニットのカバーが開いているため、機能が実行できない。	• 繰出しユニットのカバーを閉めてから、機能を実行してください。
実行できません 繰出ユニット接続	巻取りと繰出しの接続が逆になっているため、機能が実行できない。	• 装置を再起動してください。 再度表示する場合は、販売店または弊社営業所、コールセンターにお問い合わせください。
実行できません 繰出ユニットナシ	繰出しユニットが接続されていないため、機能が実行できない。	• 繰出しユニットの緊急停止スイッチを解除してから、機能を実行してください。
実行できません 繰出緊急停止スイッチ ON	繰出しユニットの緊急停止スイッチが押し込まれているため、機能が実行できない。	• 装置を再起動してください。 再度表示する場合は、販売店または弊社営業所、コールセンターにお問い合わせください。
実行できません 繰出ユニット電源	繰出しユニットのインバータの正常状態が確認できないため、機能が実行できない。	• 装置を再起動してください。 再度表示する場合は、販売店または弊社営業所、コールセンターにお問い合わせください。
実行できません 繰出リレー溶着	繰出しユニットのリレーが故障している可能性があるため、機能が実施できない。	• 装置を再起動してください。 再度表示する場合は、販売店または弊社営業所、コールセンターにお問い合わせください。
Attention 42A 繰出リミット	繰出しテンションバー位置の上限を検出している。	• 繰出しテンションバーを下げてください。
Attention 426 繰出動作異常	繰出しテンションバーが下限位置から動いていない。	• MANUAL 動作で繰出しユニットが正常に動作することを確認してください。
Information 428 繰出カバー OPEN	繰出しユニットのカバーが開いている。	• 繰出しユニットのカバーを閉めてください。
Error 433 繰出ユニット接続	巻取りと繰出しの接続が逆になっている。	• 装置を再起動してください。 再度表示する場合は、販売店または弊社営業所、コールセンターにお問い合わせください。
Error 443 繰出ユニットなし	繰出しユニットが接続されていない。	• 繰出しユニットの緊急停止スイッチを解除してください。
Attention 486 繰出緊急停止スイッチ	繰出しユニットの緊急停止スイッチが押し込まれている。	• OPT 電装 BOX の電源スイッチがオンになっているか確認してください。 再度表示する場合は、販売店または弊社営業所、コールセンターにお問い合わせください。
Attention 484 繰出ユニット電源確認	繰出しユニットのインバータの正常状態が確認できない。	• 装置を再起動してください。 再度表示する場合は、販売店または弊社営業所、コールセンターにお問い合わせください。
Error 488 繰出リレー溶着	繰出しユニットのリレーが故障している可能性がある。	• 一度、主電源をオフにして、しばらくたってから再度オンにしてください。 再度表示する場合は、販売店または弊社営業所、コールセンターにお問い合わせください。
Error 403 X オーバー カレント	X モーターの過電流エラーを検出した。	• メディアのセット状態を確認してください。 • JOG スイッチで繰出装置が動作することを確認してください。
Attention 450 繰出ロールセンサ異常	繰出軸センサを正しく読めない。	• 装置を再起動してください。 再度表示する場合は、販売店または弊社営業所、コールセンターにお問い合わせください。
Attention 482 繰出シャフト取出位置	繰出ロール軸を取り出し位置に移動できなかった。	• 装置を再起動してください。 再度表示する場合は、販売店または弊社営業所、コールセンターにお問い合わせください。

仕様

項目		内容
セット可能メディア	最大重量	巻き取り :45kg / 繰り出し : 300kg
	最大径	巻き取り : 250mm / 繰り出し : 600mm
	最大幅	1620mm (最大印字幅 : 1610mm、端面ガイド使用時 : 200mm)
電源仕様 *1		単相 AC200 ~ 240V x1
消費電力		1.0kW 以下
外形寸法 (W x D x H) *2	単品寸法	2773mm x 988mm x 742mm
	本体設置時	3360mm x 1760mm x 1305mm
重量		27kg

*1. プリンター本体とは、電源仕様が異なるので注意してください。

*2. ミニジャンボロール最大径 (φ600) を取り付けただけの場合



