

INKJET PRINTER

JV330 Series
CJV330 Series
TS330-1600
UCJV330 Series

Requests for Care and Maintenance

Care and Maintenance

You can also download the latest manual from official website.

MIMAKI ENGINEERING CO., LTD.

<https://mimaki.com/>

D203601-22
Original instructions

TABLE OF CONTENTS

Introduction	3
To Ensure Safe Use	4
Symbols	4

Maintenance

1. Maintenance Precautions	6
2. Maintenance Methods	7
Maintenance Items and Timing	7
Ink Maintenance	9
Cap Rubber Cleaning	10
Carriage Underside Cleaning	10
Cloth Wiper Area Cleaning	12
NCU Cleaning	12
DAS (Automatic Correction Function) Sensor Cleaning	14
Ink Discharge Channel Cleaning	15
Media Sensor Cleaning	17
Media Cutter Cleaning	18
Media Holder Cleaning	19
Jam Sensor Detecting Plate Cleaning	20
Platen Cleaning	21
Cover (Exterior) Cleaning	21
Cleaning the Mist Filter	22
Blowing Fan Filter Cleaning	23
When this Printer is Left Unused for a Long Time	25
3. Replacement of Consumable Item	29
Consumable Item Replacement Timing	29
Cloth Wiper Replacement	31
Cap Replacement	35
Replacing the Absorber Around the Station	37
Exhaust Fan Filter Replacement	41
Blowing Fan Filter Replacement	42
Pinch Roller Replacement	43
Media Holder Replacement	44
Media Cutter Replacement	46
Y Cutter Replacement (XY Slitter)	48
X Cutter Replacement (XY Slitter)	49
Media Edge Guide Film Replacement	51
Ink Supply Unit Ink Absorber Replacement	52
Waste Ink Tank Replacement	54
Mist Filter Replacement	57
UV-LED Glass Replacement	58
Cutter for Cutting Machine	59
Pen Line Replacement	59
Bottle Cap Replacement	60

Introduction

Thank you for purchasing the Inkjet printer 330 Series.

Read the Request for Care and Maintenance ("this document" hereinafter) thoroughly and make sure you understand its contents to ensure safe and correct use of the product.

Please note that the illustrations contained in this manual are intended to show functions, procedures, or operations and may sometimes differ slightly from the actual machine.

Unauthorized reproduction of any portion of this document is strictly prohibited.

© 2022 MIMAKI ENGINEERING Co., Ltd.










● DISCLAIMERS

- MIMAKI ENGINEERING REJECTS ALL LIABILITY FOR DAMAGE ARISING DIRECTLY OR INDIRECTLY FROM THE USE OF THE 330 Series ("THIS MACHINE" HEREINAFTER), WHETHER OR NOT THE PRODUCT IS FAULTY.
- MIMAKI ENGINEERING REJECTS ALL LIABILITY FOR DAMAGE, DIRECT OR INDIRECT, TO MATERIALS CREATED WHILE USING THIS MACHINE.
- USING THIS MACHINE IN CONJUNCTION WITH DEVICES OTHER THAN THOSE RECOMMENDED BY MIMAKI ENGINEERING MAY RESULT IN FIRE OR ACCIDENTS. SUCH INCIDENTS ARE NOT COVERED BY THE PRODUCT WARRANTY. MIMAKI ENGINEERING REJECTS ALL LIABILITY FOR DAMAGE, DIRECT OR INDIRECT, ARISING FROM SUCH INCIDENTS.
- USE ONLY GENUINE MIMAKI ENGINEERING INK AND MAINTENANCE LIQUID. USE OF OTHER PRODUCTS MAY RESULT IN FAILURES OR REDUCE PRINT QUALITY. SUCH INCIDENTS ARE NOT COVERED BY THE PRODUCT WARRANTY. MIMAKI ENGINEERING REJECTS ALL LIABILITY FOR DAMAGE, DIRECT OR INDIRECT, ARISING FROM SUCH INCIDENTS.
- DO NOT ATTEMPT TO REFILL THE INK PACKS WITH UNAUTHORIZED INK. SUCH INCIDENTS ARE NOT COVERED BY THE PRODUCT WARRANTY. MIMAKI ENGINEERING REJECTS ALL LIABILITY FOR DAMAGE, DIRECT OR INDIRECT, ARISING FROM SUCH INCIDENTS.
- AVOID USING UV-LED UNITS OR UV POWER SUPPLY UNITS OTHER THAN THOSE SPECIFIED BY MIMAKI ENGINEERING. USING DEVICES OTHER THAN GENUINE MIMAKI ENGINEERING DEVICES MAY RESULT IN FAILURE, ELECTRIC SHOCK, OR FIRE. SUCH INCIDENTS ARE NOT COVERED BY THE PRODUCT WARRANTY. MIMAKI ENGINEERING REJECTS ALL LIABILITY FOR DAMAGE, DIRECT OR INDIRECT, ARISING FROM SUCH INCIDENTS.

To Ensure Safe Use

Symbols

In this manual, the symbols indicate and explain precautions. Make sure you fully understand the meaning of each symbol and use the machine safely and correctly.

Explanation		
	Warning	Indicates a potential hazard that may result in death or serious injury if handled improperly or if instructions are disregarded.
	Caution	Indicates a potential hazard that may result in minor or moderate injury if handled improperly or if instructions are disregarded.
	Notice	Indicates a potential hazard that may result in property damage if handled improperly or if instructions are disregarded.
	Warning sign	Indicates something that requires attention. Warning specifics are drawn inside the symbol.
	Mandatory action sign	Indicates an action that must be carried out. The specifics of the mandatory action are drawn inside the symbol.
	Prohibition sign	Indicates a prohibited action. The specifics of the prohibited action are drawn inside the symbol.
	Important	Indicates important information related to use of this machine.
	Tip	Indicates useful reference information.
	Reference information	Indicates the corresponding page for related information.

Explanation of model icons



- Model icons are shown for items where differences exist between models.

JV

CJV

TS

UCJV

- Model icons are not shown for items where the details are the same for all models.

Maintenance

To ensure years of precise performance, maintain the machine periodically based on frequency of use. Read the maintenance precautions thoroughly before maintaining this product.

1. Maintenance Precautions



- This machine includes parts that must be replaced periodically. We therefore recommend taking out a maintenance contract. Carry out maintenance periodically and replace consumable items to prevent quality defects and accidents.

⚠ WARNING



- Clean periodically. Debris and dust will accumulate on electrical components when the machine is used for extended periods. There is a risk of failure, electric shock, or fire due to current leakage.
- Do not clean by blowing—e.g., avoid using air blowers. Doing so may lead to failure, electric shock, or fire involving the machine if airborne debris or dust gets inside electrical components. Wipe using a soft cloth soaked in diluted neutral detergent and thoroughly wrung out. A vacuum cleaner may also be used for cleaning.



- Be careful to prevent liquids from getting inside the machine. Otherwise there is a risk of failure, electric shock, or fire.

⚠ CAUTION



- The UV-LED unit becomes extremely hot. Be careful not to touch the LED after it has been turned off until it has sufficiently cooled.



- For heavy soiling, wipe using a soft cloth soaked in diluted neutral detergent and thoroughly wrung out.



- Pay close attention to ventilation and be sure to wear safety glasses, gloves, and a mask when handling ink, maintenance liquid, waste ink, or other solutions used with the machine. Leaking ink may adhere to the skin or get into the eyes or mouth.



NOTICE

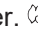





- Never touch the print head nozzle surface. Do not allow water or alcohol to come into contact with the print nozzle surface. This will increase the risk of machine failure or ejection failures (e.g., nozzle clogging or deflection).
- Do not use cotton swabs to clean around the head or carriage. Fibers from cotton swabs may adhere to the head nozzle surface and lead to ejection failures (e.g., nozzle clogging or deflection).
- Do not splash ink or maintenance liquid on the covers. Exposure to splashing ink or maintenance liquid may damage or deform the cover.
- Do not use benzine, thinner, or any chemical agent containing abrasives. Use of these chemicals may result in damage to or deformation of parts.
- Do not move the carriage by hand. To move the carriage, use the carriage out function on the menu.

2. Maintenance Methods

Maintenance Items and Timing

● JV/CJV/TS

Timing	Item
Every three days, at the start of the work	Shake the ink.  "Ink Maintenance"(P. 9)
At the end of the week's work	Clean the cap rubber.  "Cap Rubber Cleaning"(P. 10)
	Clean the underside of the carriage.  "Carriage Underside Cleaning"(P. 10)
	Check the waste ink levels in the waste ink tank.  "When "Check Waste Ink Tank" message appears"(P. 54)
At the end of two weeks' work * TS only	Clean the blowing fan filter.  "Blowing Fan Filter Cleaning"(P. 23)
Every month	Clean around the cloth wiper.  "Cloth Wiper Area Cleaning"(P. 12)
	Clean the NCU.  "NCU Cleaning"(P. 12)
	Clean the DAS sensor.  "DAS (Automatic Correction Function) Sensor Cleaning"(P. 14)
	Clean the ink discharge channel.  "Ink Discharge Channel Cleaning"(P. 15)
	Clean the media sensor.  "Media Sensor Cleaning"(P. 17)
	Clean the media cutter.  "Media Cutter Cleaning"(P. 18)
	Clean the media holder.  "Media Holder Cleaning"(P. 19)
	Clean the jam sensor detecting plate.  "Jam Sensor Detecting Plate Cleaning"(P. 20)
	Clean the platen.  "Platen Cleaning"(P. 21)
Clean the cover (exterior).  "Cover (Exterior) Cleaning"(P. 21)	
When not used for more than a week	Clean the cap and wash the ink discharge channels. After cleaning, store without turning off the main power supply.  "When this Printer is Left Unused for a Long Time"(P. 25)

● UCJV

Timing	Item
Periodically	Shake the ink. "Ink Maintenance"(P. 9)
At the end of the week's work	Clean the cap rubber. "Cap Rubber Cleaning"(P. 10)
	Clean the underside of the carriage. "Carriage Underside Cleaning"(P. 10)
	Clean the underside of the UV-LED unit. "Carriage Underside Cleaning"(P. 10)
	Check the waste ink levels in the waste ink tank. "When "Check Waste Ink Tank" message appears"(P. 54)
Every month	Clean around the cloth wiper. "Cloth Wiper Area Cleaning"(P. 12)
	Clean the NCU. "NCU Cleaning"(P. 12)
	Clean the DAS sensor. "DAS (Automatic Correction Function) Sensor Cleaning"(P. 14)
	Clean the ink discharge channel. "Ink Discharge Channel Cleaning"(P. 15)
	Clean the media sensor. "Media Sensor Cleaning"(P. 17)
	Clean the media cutter. "Media Cutter Cleaning"(P. 18)
	Clean the media holder. "Media Holder Cleaning"(P. 19)
	Clean the jam sensor detecting plate. "Jam Sensor Detecting Plate Cleaning"(P. 20)
	Clean the platen. "Platen Cleaning"(P. 21)
	Clean the cover (exterior). "Cover (Exterior) Cleaning"(P. 21)
	Clean the mist filter. Soak up ink with a paper towel. "Cleaning the Mist Filter"(P. 22)
When not used for more than a week	Clean the cap and wash the ink discharge channels. After cleaning, store without turning off the main power supply. "When this Printer is Left Unused for a Long Time"(P. 25)

Items Required for Maintenance

To order replacement consumable items, contact your local dealer or our service office. For more information on consumable items, refer to our website (<https://mimaki.com/supply/inkjet.html>).



- Do not store consumable items in locations where children may enter.

Ink Maintenance

If ink constituents are sedimented, the ink density may become uneven. We recommend shaking the ink periodically to keep printing consistent.

● JV/CJV/TS

JV
CJV
TS

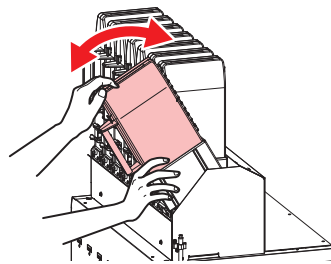
Once every three days.

Important!

- **Shake taking care that the ink eco-cases do not become detached** from the ink supply unit. Ink may leak out if the ink eco-cases become detached.

1 Shake the ink eco-cases slowly approximately 10 times.

- Shake the ink eco-cases back and forth while holding the top.



- Be sure to shake the ink eco-case back and forth by holding its top. Ink may leak out if the top is not held and the ink eco-cases become detached.

● UCJV

UCJV

UV ink: once a month.

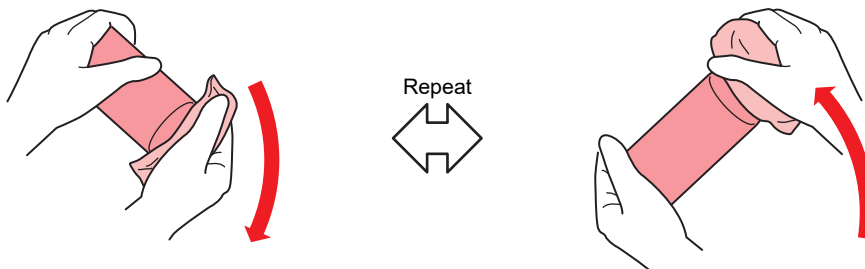
UV white ink: once a day.



- The UCJV counts the time elapsed after the white ink was stirred. The "Shake White Ink Bottle" message appears when a preset count is reached. If the message appears, shake the white ink by following the instructions below:
Timing when the message appears: Every 24 hours (or when the power is turned on if the power was turned off).

1 Shake the ink bottle to the left and right slowly at least 20 times.

- Tighten the ink bottle lid securely, then shake the bottle slowly from left to right to ensure that the ink moves inside, holding the ink bottle lid with a piece of recommended non-woven fabric.





- Shake slowly. If the bottle is shaken too violently, ink may leak out or the air mixed in the ink may cause nozzle clogging.
- If the ink bottle is partially used, tilt it slowly until the ink bottle is upright.

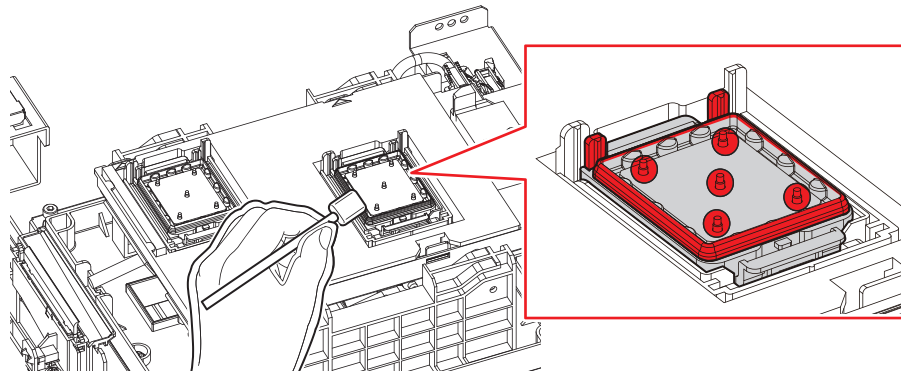
Cap Rubber Cleaning

The cap prevents the print head nozzle surface from drying out. Continuing to use a dirty cap may affect ink take-up and lead to ejection failures (such as nozzle clogging or deflection).



- Be careful to avoid leaving fragments from the cleaning stick behind when cleaning. These fragments will increase the risk of ejection failures (e.g., nozzle clogging or deflection).

- 1 On the LOCAL mode screen, select [MENU] > [Maintenance], then press the [ENTER] key.**
 - The Maintenance menu is displayed.
- 2 Select [Station Maint.] > [Carriage Out] > [Move To Platen Right End], then press the [ENTER] key.**
 - The carriage moves over the platen.
- 3 Open the maintenance cover on the right side.**
- 4 Clean the cap rubber.**
 - Wipe off any ink and dust adhering using a cleaning stick moistened with maintenance liquid. Wipe off the maintenance liquid. Make sure none remains.
 - Clean the areas indicated in red in the diagram (the entire interior and exterior of the cap rubber, the tabs, and the mesh retainers).



- 5 Close the maintenance cover, then press the [ENTER] key.**

Carriage Underside Cleaning

The underside of the carriage becomes coated with ink wiped off by the wiper. Continuing to use the dirty carriage underside will rub dried ink and attached dust on to the media, resulting in contaminated prints.

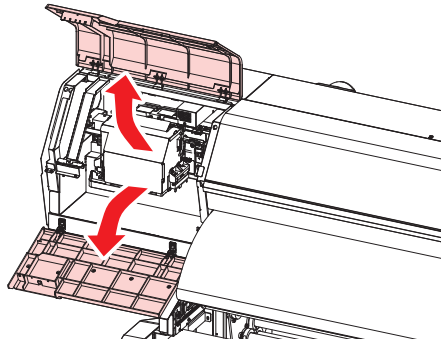
The print head uses an extremely delicate mechanism. Take great care when handling it.



- Be careful to avoid leaving fragments from the cleaning stick behind when cleaning. These fragments will increase the risk of ejection failures (e.g., nozzle clogging or deflection).

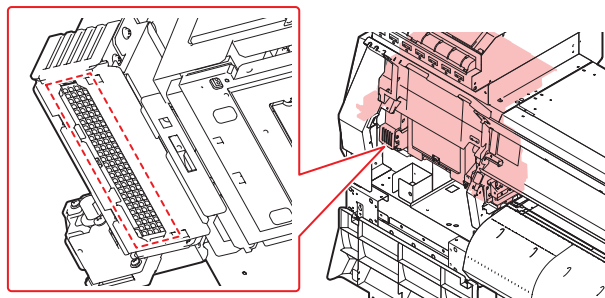
- 1 On the LOCAL mode screen, select [MENU] > [Maintenance], then press the [ENTER] key.**
 - The Maintenance menu is displayed.

- 2 Select [Station Maint.] > [Carriage Out] > [Move To Maint. Space], then press the [ENTER] key.
 - The carriage moves to the maintenance space.
- 3 Open the maintenance cover on the left side.



4 (UCJV only) Clean the UV-LED lamp glass surface.

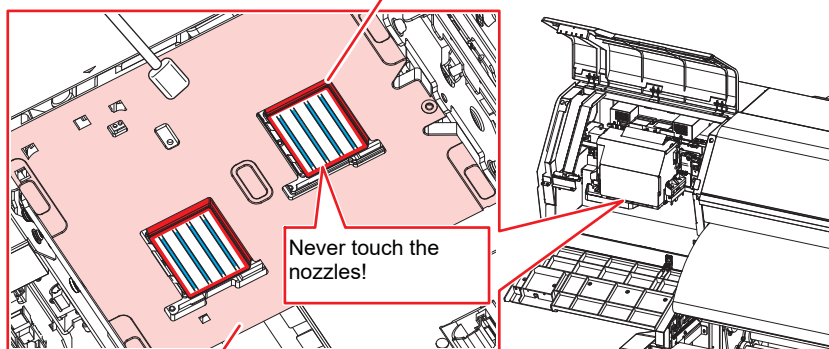
- Wipe off any adhering ink using a cleaning stick moistened with maintenance liquid. Wipe off the maintenance liquid. Make sure none remains.



5 Clean around the print head.

- Wipe off any ink and dust adhering using a cleaning stick moistened with maintenance liquid. Wipe off the maintenance liquid. Make sure none remains.

Clean the print head sides and all around the nozzle plate using a cleaning stick.



Clean using a cleaning stick or soft cloth.



- Never touch the print head nozzles (areas indicated in blue in the diagram).

- 6 Once cleaning is complete, close the cover, then press the [ENTER] key.

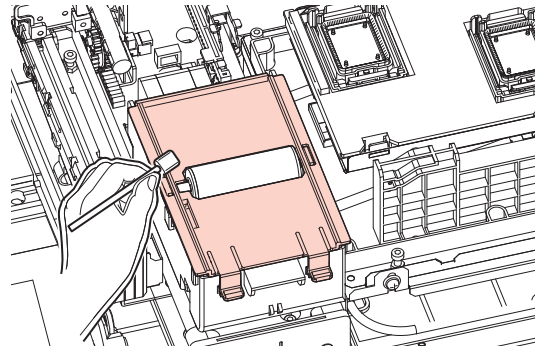
Cloth Wiper Area Cleaning

Continuing to use while dirty will cause dried ink and attached dust around the wiper to rub against the head nozzle surface, and lead to ejection failures (e.g., nozzle clogging or deflection).



- Be careful to avoid leaving fragments from the cleaning stick behind when cleaning. These fragments will increase the risk of ejection failures (e.g., nozzle clogging or deflection).

- 1 On the LOCAL mode screen, select [MENU] > [Maintenance], then press the [ENTER] key.**
 - The Maintenance menu is displayed.
- 2 Select [Station Maint.] > [Carriage Out] > [Move To Platen Right End], then press the [ENTER] key.**
 - The carriage moves over the platen.
- 3 Open the maintenance cover on the right side.**
- 4 Clean the wiper unit cover.**
 - Wipe off any ink and dust adhering using a cleaning stick moistened with maintenance liquid. Wipe off the maintenance liquid. Make sure none remains.



- Be careful to avoid splashing maintenance liquid on the cloth wiper.

- 5 Once cleaning is complete, close the cover, then press the [ENTER] key.**

NCU Cleaning

The NCU uses a sensor to monitor the ink droplets ejected from the print head nozzles. Continuing to use the dirty NCU may prevent the nozzle check function from operating correctly.

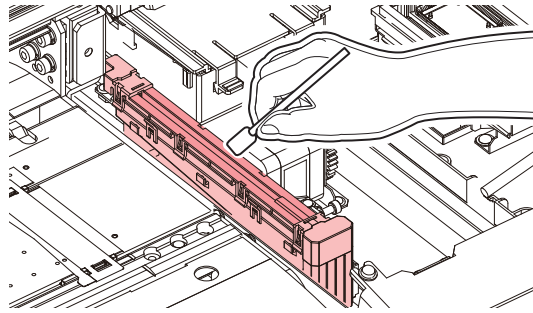


- Be careful to avoid leaving fragments from the cleaning stick behind when cleaning. These fragments will increase the risk of ejection failures (e.g., nozzle clogging or deflection).

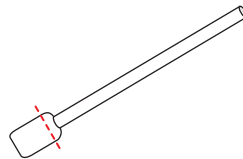
- 1 On the LOCAL mode screen, select [MENU] > [Maintenance], then press the [ENTER] key.**
 - The Maintenance menu is displayed.
- 2 Select [Station Maint.] > [Carriage Out] > [Move To Platen Right End], then press the [ENTER] key.**
 - The carriage moves over the platen.
- 3 Open the maintenance cover on the right side.**

4 Clean the NCU.

- Wipe off any ink and dust adhering using a cleaning stick moistened with maintenance liquid. Wipe off the maintenance liquid. Make sure none remains.



- Insert the cleaning stick as far as the line shown in the illustration.

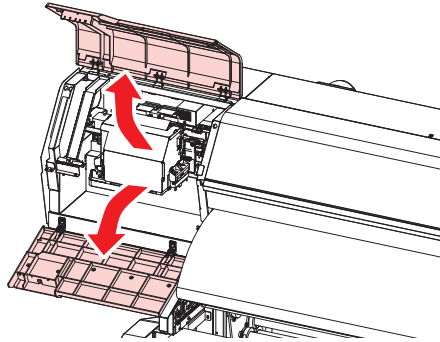


5 Once cleaning is complete, close the cover, then press the [ENTER] key.

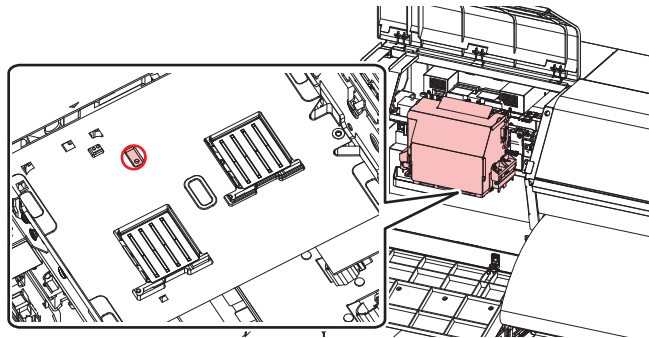
DAS (Automatic Correction Function) Sensor Cleaning

The DAS sensor is located on the carriage underside. If dust or debris accumulates on the sensor, DAS () may not function.

- 1** On the **LOCAL** mode screen, select **[MENU] > [Maintenance]**, then press the **[ENTER]** key.
 - The Maintenance menu is displayed.
- 2** Select **[Station Maint.] > [Carriage Out] > [Move To Maint. Space]**, then press the **[ENTER]** key.
 - The carriage moves to the maintenance space.
- 3** Open the maintenance cover on the left side.



- 4** Clean the DAS sensor.
 - Wipe clean using cotton swabs or a soft cloth.



- For heavy soiling, wipe using a soft cloth soaked in diluted neutral detergent and thoroughly wrung out.

- 5** Once cleaning is complete, close the cover, then press the **[ENTER]** key.

Ink Discharge Channel Cleaning

Clean the ink discharge channel regularly to prevent clogging of the ink discharge channel below the cap.

● JV/CJV/TS

JV
CJV
TS

- 1 On the **LOCAL** mode screen, select **[MENU] > [Maintenance]**, then press the **[ENTER]** key.
 - The Maintenance menu is displayed.

- 2 Select **[Station Maint.] > [Pump tube cleaning]**, then press the **[ENTER]** key.
 - The cap is filled with maintenance liquid.



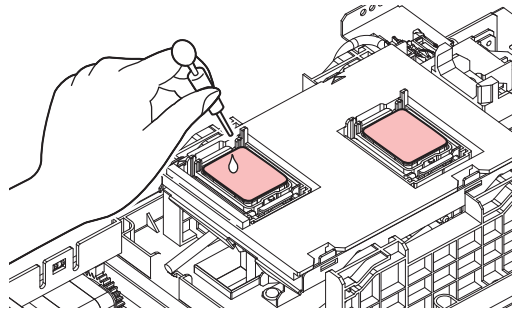
- Close the cover. The cap cannot be filled with maintenance liquid while the cover is open. This is also true if the maintenance liquid cartridge is empty.

- 3 Open the maintenance cover on the right side.

- Check to confirm that approximately half a capful of maintenance liquid remains.



- If not, use a syringe to draw up some maintenance liquid and drip in approximately half a capful.



- 4 Close the maintenance cover, then press the **[ENTER]** key.

- Pump tube (ink discharge channel below the cap) washing starts.

● UCJV

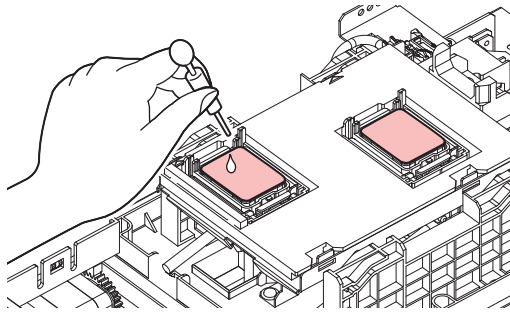
UCJV

- 1 On the **LOCAL** mode screen, select **[MENU] > [Maintenance]**, then press the **[ENTER]** key.
 - The Maintenance menu is displayed.

- 2 Select **[Station Maint.] > [Pump tube cleaning]**, then press the **[ENTER]** key.
 - The carriage moves over the platen.
 - "Fill the Liquid. Exit Next [ENT]" appears on the display.

- 3 Open the maintenance cover on the right side.

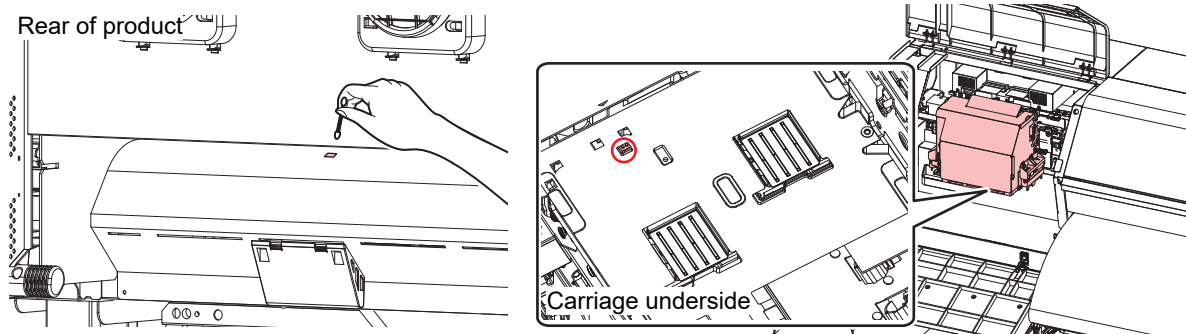
- 4 Check to confirm that approximately half a capful of maintenance liquid remains.**
 - Use a syringe to draw up some maintenance liquid and drip in approximately half a capful.



- 5 Close the maintenance cover, then press the [ENTER] key.**
 - Pump tube (ink discharge channel below the cap) washing starts.

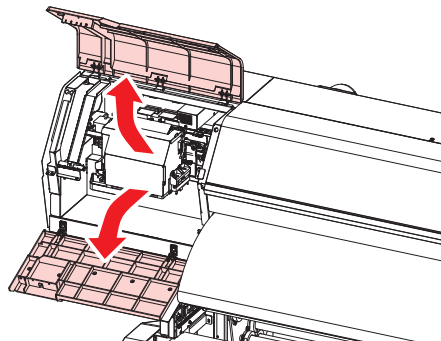
Media Sensor Cleaning

Media sensors are located on the rear cover and carriage underside. The media cannot be detected correctly if dust or debris accumulates on the sensors. Remove any debris using cotton swabs or a soft cloth.



● Cleaning the carriage underside sensor

- 1** On the LOCAL mode screen, select [MENU] > [Maintenance], then press the [ENTER] key.
 - The Maintenance menu is displayed.
- 2** Select [Station Maint.] > [Carriage Out] > [Move To Maint. Space], then press the [ENTER] key.
 - The carriage moves to the maintenance space.
- 3** Open the maintenance cover on the left side.



- 4** Clean the media sensor.
- 5** Once cleaning is complete, close the cover, then press the [ENTER] key.

Media Cutter Cleaning

Continuing to use a dirty media cutter may cause dust to collect on the head nozzle surface or the cutter blade to grow dull.



- Avoid touching the cutter blade. Failure to do so may result in injury.

1 On the LOCAL mode screen, select [MENU] > [Maintenance], then press the [ENTER] key.

- The Maintenance menu is displayed.

2 Select [Station Maint.] > [Carriage Out] > [Move To Platen Right End], then press the [ENTER] key.

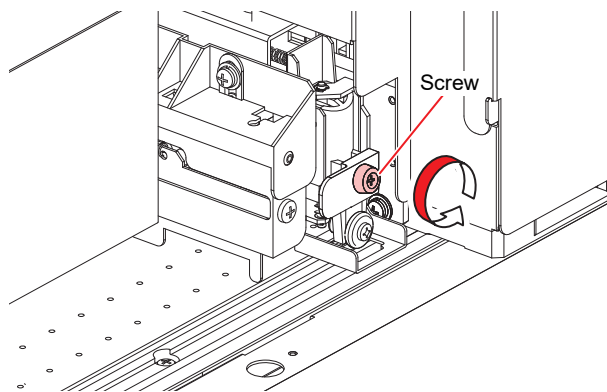
- The carriage moves over the platen.

3 Open the front cover.



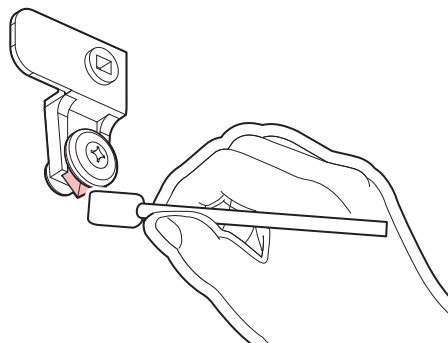
- The carriage can be moved by hand. Move the carriage slowly to a position allowing easy access while working.

4 Remove the media cutter.



5 Clean both sides of the media cutter.

- Wipe off any adhesive paste, ink and dust adhering using a cleaning stick moistened with industrial alcohol. Wipe off any industrial alcohol so that none remains.



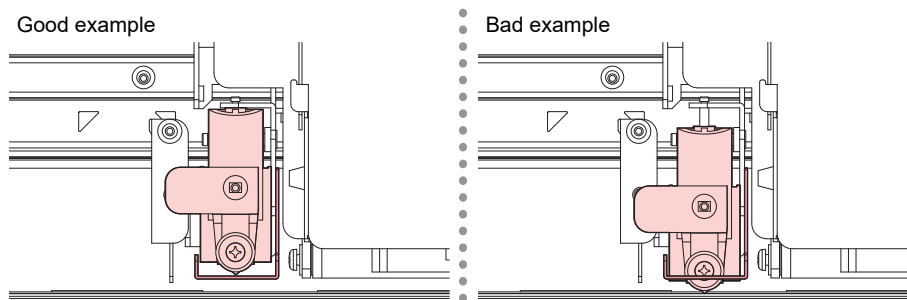
6 Return the media cutter to its original position.



- Tighten the screw securely. A loose screw may cause cutter or platen damage.

7 Check the position of the media cutter.

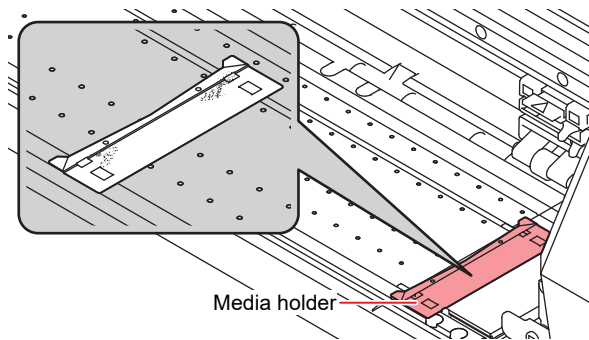
- Lift up the media cutter by hand if it has dropped down.



8 Once cleaning is complete, close the cover, then press the [ENTER] key.

Media Holder Cleaning

Continuing to use the dirty platen will prevent proper feeding of the media. It will also cause dried ink and attached dust to rub against the head nozzle surface and lead to ejection failures (e.g., nozzle clogging or deflection).



- Turn off the main power supply and unplug the power cable before carrying out maintenance.



- Be careful to prevent liquids from getting inside the machine. Otherwise there is a risk of failure, electric shock, or fire.

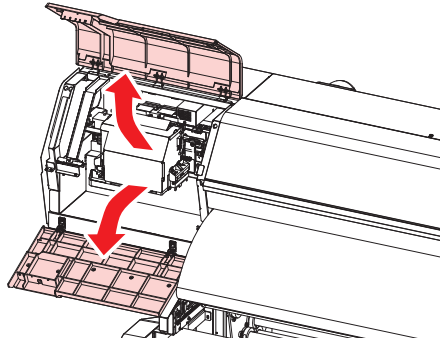


- For heavy soiling, wipe using a soft cloth soaked in diluted neutral detergent and thoroughly wrung out.

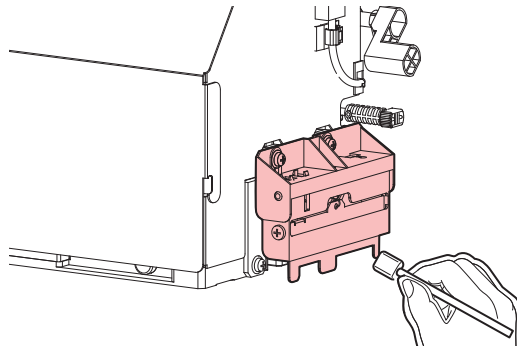
Jam Sensor Detecting Plate Cleaning

Continuing to use the dirty carriage underside will rub dried ink and attached dust on to the media, resulting in contaminated prints.

- 1** On the **LOCAL** mode screen, select **[MENU] > [Maintenance]**, then press the **[ENTER]** key.
 - The Maintenance menu is displayed.
- 2** Select **[Station Maint.] > [Carriage Out] > [Move To Maint. Space]**, then press the **[ENTER]** key.
 - The carriage moves to the maintenance space.
- 3** Open the maintenance cover on the left side.



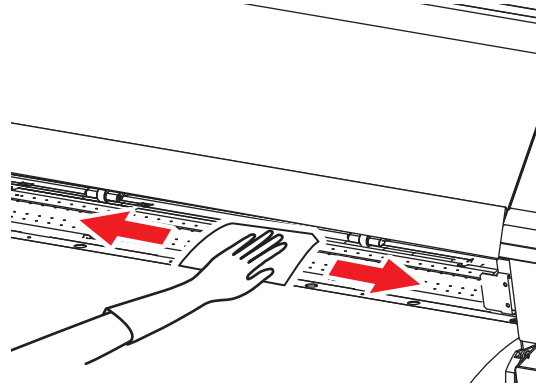
- 4** Clean the jam sensor detecting plate.
 - Clean the jam sensor detecting plate underside at the left and right sides of the carriage.
 - Wipe off any ink and dust adhering using a cleaning stick moistened with maintenance liquid. Wipe off the maintenance liquid. Make sure none remains.



- 5** Once cleaning is complete, close the cover, then press the **[ENTER]** key.

Platen Cleaning

Continuing to use the dirty platen will prevent proper feeding of the media. It will also cause dried ink and attached dust to rub against the head nozzle surface and lead to ejection failures (e.g., nozzle clogging or deflection).



- Turn off the main power supply and unplug the power cable before carrying out maintenance.



- Be careful to prevent liquids from getting inside the machine. Otherwise there is a risk of failure, electric shock, or fire.

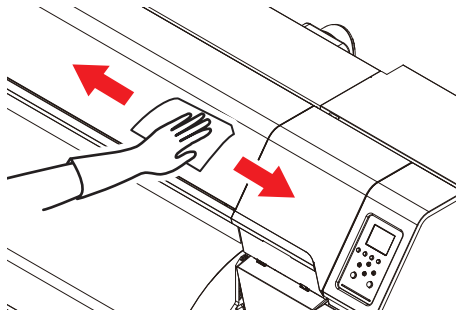


- The grooves in which the media holder slides and the media is cut are susceptible to dust accumulation. Remove any debris carefully.



- For heavy soiling, wipe using a soft cloth soaked in diluted neutral detergent and thoroughly wrung out.

Cover (Exterior) Cleaning



- Be careful to prevent liquids from getting inside the machine. Otherwise there is a risk of failure, electric shock, or fire.



- For heavy soiling, wipe using a soft cloth soaked in diluted neutral detergent and thoroughly wrung out.

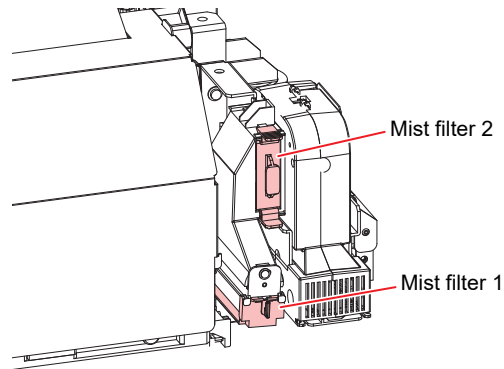
Cleaning the Mist Filter

UCJV

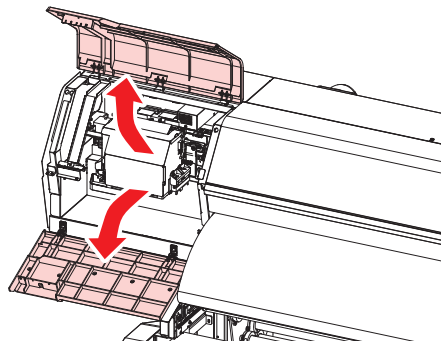


- The description here applies to the UCJV.

The mist filter absorbs the mist generated when ink droplets are discharged from the print head. Continuing to use it when it is dirty will result in contaminated prints.

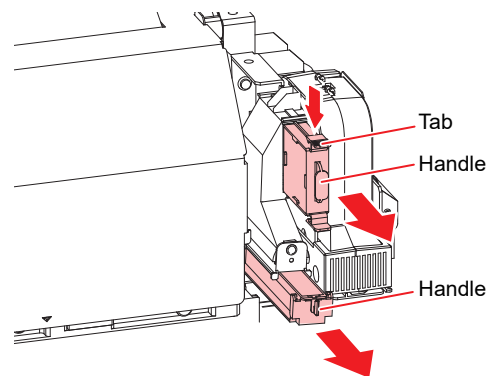


- 1** On the LOCAL mode screen, select [MENU] > [Maintenance], then press the [ENTER] key.
 - The Maintenance menu is displayed.
- 2** Select [Station Maint.] > [Carriage Out] > [Move To Maint. Space], then press the [ENTER] key.
 - The carriage moves to the maintenance space.
- 3** Open the maintenance cover on the left side.



4 Remove the mist filter.

- To remove the mist filter, pull the knob to the front while pushing the tab in the direction indicated by the arrow.



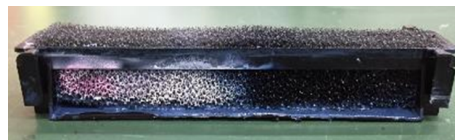
5 Clean the filter.

- Remove the filter and press down on it with a paper towel to remove dirt.
- Wipe off the dirt adhering to the filter case.



- Replace the mist filter if it gets very dirty—for example, due to liquefaction of ink adhering to the filter.

 ["Mist Filter Replacement"\(P. 57\)](#)



6 Reinstall the mist filter in its original position.

7 Once cleaning is complete, close the cover, then press the [ENTER] key.

Blowing Fan Filter Cleaning

TS




- The description here applies to the TS.

Wash the blowing fan filter in water if it is dirty.

● Recommended cleaning guide

Important!

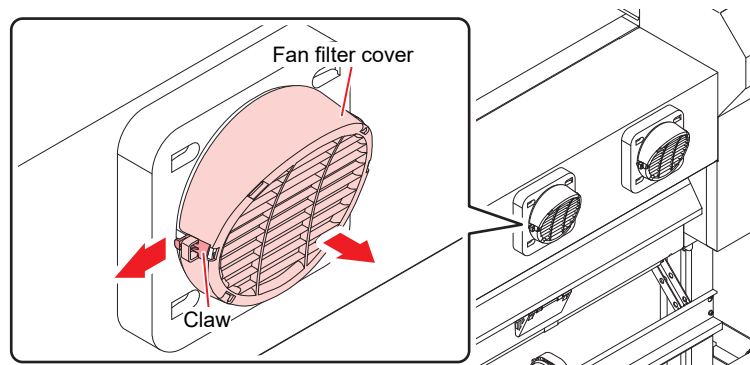
- Check the filter for dirt every two weeks, and wash.
- Replace the filter every three months.  ["Blowing Fan Filter Replacement"\(P. 42\)](#)



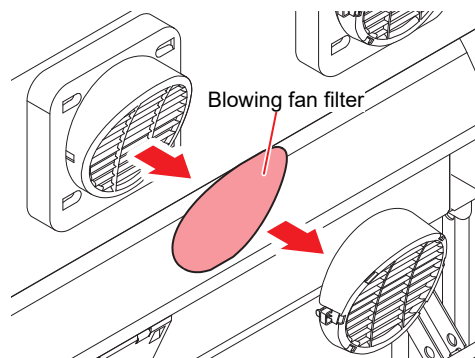
- Turn off the main power and unplug the power cable before replacement.

1 Remove the fan filter cover.

- Push the fan filter cover claw outward, and pull the cover to the front.



2 Remove the filter.



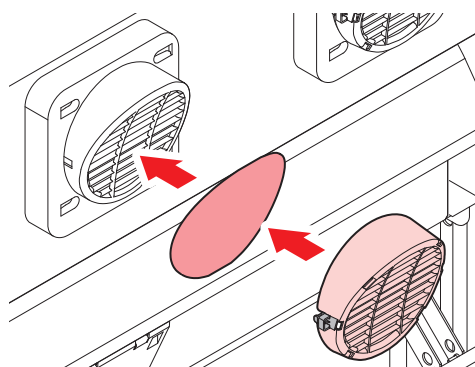
3 Wash the filter.



- Dry the filter after washing.

4 Attach the dry filter together with the fan filter cover.

- Push in the fan filter cover until the tab clicks.



When this Printer is Left Unused for a Long Time

Clean as follows if the product is not used for one week or longer:

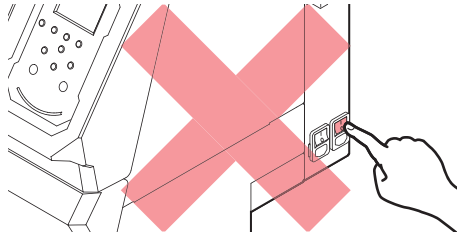
Check beforehand

Is [Near End] or [Ink End] displayed?

- Maintenance liquid and ink is aspirated during the washing operation. Washing is not possible if an error occurs during this process. Replace with new ink.



- Do not turn off the main power supply. Turning off the main power supply will disable the automatic maintenance function (including nozzle clogging prevention function and ink discharge channel cleaning function). This increases the risk of ejection failures (such as nozzle clogging or deflection).



- Do not leave media loaded on the platen. This may leave irregularities or ripples in the media.



When the machine is not in use, raise the clamp lever to separate the pinch rollers from the grit rollers.


- Leaving the pinch rollers lowered may cause them to become deformed and prevent media from being fed correctly.
- Leaving media loaded will subject it to force from the pinch rollers, which may leave pinch roller marks on it.



- Perform the following if the "Check Waste Ink Tank" message appears on the display.
 ["Waste Ink Tank Replacement"\(P. 54\)](#)

JV/CJV/TS

JV
CJV
TS

- 1 On the LOCAL mode screen, select [MENU] > [Maintenance], then press the [ENTER] key.
 - The Maintenance menu is displayed.
- 2 Select [Station Maint.] > [Custody Wash], then press the [ENTER] key.
 - The carriage moves over the platen.
- 3 Open the maintenance cover on the right side.
- 4 Clean the cap rubber.
 -  ["Cap Rubber Cleaning"\(P. 10\)](#)
- 5 Once cleaning is complete, close the cover, then press the [ENTER] key.
 - The cap is filled with maintenance liquid.



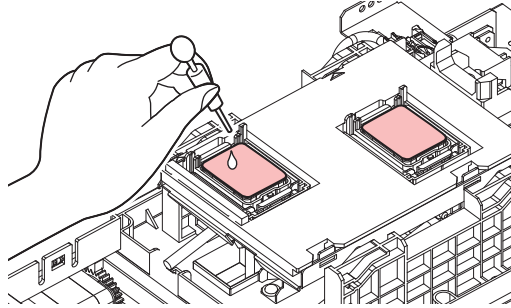
- Close the cover. The cap cannot be filled with maintenance liquid while the cover is open. This is also true if the maintenance liquid cartridge is empty.

6 Open the maintenance cover on the right side.

- Check to confirm that the cap is filled with maintenance liquid.



- If not, use a syringe to draw up some maintenance liquid and fill until it almost overflows from the cap.



7 Close the maintenance covers.

8 Set the exposure time, then press the [ENTER] key.

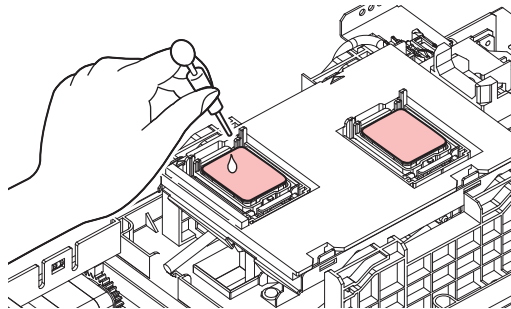
- Cleaning is performed automatically once print nozzle washing has ended.
- The cap is filled with maintenance liquid.

9 Open the maintenance cover on the right side.

- Check to confirm that the cap is filled with maintenance liquid.



- If not, use a syringe to draw up some maintenance liquid and fill until it almost overflows from the cap.




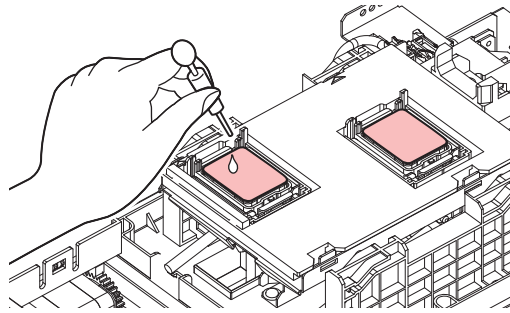
10 Close the maintenance cover, then press the [ENTER] key.

- Pump tube (ink discharge channel below the cap) washing starts.

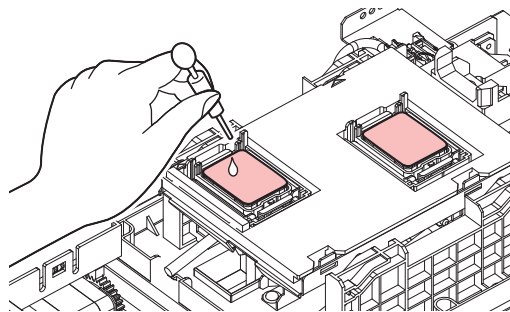
UCJV

UCJV

- 1** On the LOCAL mode screen, select [MENU] > [Maintenance], then press the [ENTER] key.
 - The Maintenance menu is displayed.
- 2** Select [Station Maint.] > [Custody Wash], then press the [ENTER] key.
 - The carriage moves over the platen.
- 3** Open the maintenance cover on the right side.
- 4** Clean the cap rubber.
 -  "Cap Rubber Cleaning"(P. 10)
- 5** Once cleaning is complete, close the cover, then press the [ENTER] key.
 - "Fill the Liquid. Exit Next [ENT]" appears on the display.
- 6** Fill the cap with maintenance liquid.
 - Use a syringe to draw up some maintenance liquid and fill until it almost overflows from the cap.



- 7** Close the maintenance cover, then press the [ENTER] key.
- 8** Set the exposure time, then press the [ENTER] key.
 - Cleaning is performed automatically once print nozzle washing has ended.
 - "Fill the Liquid. Exit Next [ENT]" appears on the display.
- 9** Open the maintenance cover on the right side.
- 10** Fill the cap with maintenance liquid.
 - Use a syringe to draw up some maintenance liquid and fill until it almost overflows from the cap.



11 Close the maintenance cover, then press the [ENTER] key.

- Pump tube (ink discharge channel below the cap) washing starts.

3. Replacement of Consumable Item

To order replacement consumable items, contact your local dealer or our service office. For more information on consumable items, refer to our website (<https://mimaki.com/supply/inkjet.html>).



- Do not store consumable items in locations where children may enter.



- When disposing of consumable items, contact an industrial waste disposal operator or dispose of the product in accordance with the local laws and regulations.

Consumable Item Replacement Timing




● JV

Timing	Item
When run out	"Cloth Wiper Replacement"(P. 31)
When dirty	"Replacing the Absorber Around the Station"(P. 37) "Exhaust Fan Filter Replacement"(P. 41) "Blowing Fan Filter Replacement"(P. 42)
When ejection failures cannot be remedied	"Cap Replacement"(P. 35)
When damaged	"Cap Replacement"(P. 35) "Pinch Roller Replacement"(P. 43) "Media Holder Replacement"(P. 44) "Media Cutter Replacement"(P. 46) "Y Cutter Replacement (XY Slitter)"(P. 48) "X Cutter Replacement (XY Slitter)"(P. 49) "Media Edge Guide Film Replacement"(P. 51) (option)
When replacing ink	"Ink Supply Unit Ink Absorber Replacement"(P. 52)
When "Check Waste Ink Tank" appears on the display	"Waste Ink Tank Replacement"(P. 54)













● CJV

Timing	Item
When run out	"Cloth Wiper Replacement"(P. 31)
When dirty	"Replacing the Absorber Around the Station"(P. 37) "Exhaust Fan Filter Replacement"(P. 41) "Blowing Fan Filter Replacement"(P. 42)
When ejection failures cannot be remedied	"Cap Replacement"(P. 35)
When damaged	"Cap Replacement"(P. 35) "Pinch Roller Replacement"(P. 43) "Media Holder Replacement"(P. 44) "Media Cutter Replacement"(P. 46) "Y Cutter Replacement (XY Slitter)"(P. 48) "X Cutter Replacement (XY Slitter)"(P. 49) "Media Edge Guide Film Replacement"(P. 51) (option) "Cutter for Cutting Machine"(P. 59)





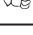








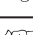



3. Replacement of Consumable Item

Timing	Item
	 "Pen Line Replacement"(P. 59)
When replacing ink	 "Ink Supply Unit Ink Absorber Replacement"(P. 52)
When "Check Waste Ink Tank" appears on the display	 "Waste Ink Tank Replacement"(P. 54)

● TS

Timing	Item
When run out	 "Cloth Wiper Replacement"(P. 31)
When dirty	 "Replacing the Absorber Around the Station"(P. 37)  "Exhaust Fan Filter Replacement"(P. 41)  "Blowing Fan Filter Replacement"(P. 42)
When ejection failures cannot be remedied	 "Cap Replacement"(P. 35)
When damaged	 "Cap Replacement"(P. 35)  "Pinch Roller Replacement"(P. 43)  "Media Holder Replacement"(P. 44)  "Media Cutter Replacement"(P. 46)  "Media Edge Guide Film Replacement"(P. 51)
When replacing ink	 "Ink Supply Unit Ink Absorber Replacement"(P. 52)
When "Check Waste Ink Tank" appears on the display	 "Waste Ink Tank Replacement"(P. 54)

● UCJV







Timing	Item
When run out	 "Cloth Wiper Replacement"(P. 31)
When dirty	 "Replacing the Absorber Around the Station"(P. 37)  "Exhaust Fan Filter Replacement"(P. 41)  "Mist Filter Replacement"(P. 57)  "UV-LED Glass Replacement"(P. 58)
When ejection failures cannot be remedied	 "Cap Replacement"(P. 35)
When damaged	 "Cap Replacement"(P. 35)  "Pinch Roller Replacement"(P. 43)  "Media Holder Replacement"(P. 44)  "Media Cutter Replacement"(P. 46)  "Y Cutter Replacement (XY Slitter)"(P. 48) (option)  "X Cutter Replacement (XY Slitter)"(P. 49) (option)  "Media Edge Guide Film Replacement"(P. 51) (option)  "Cutter for Cutting Machine"(P. 59)  "Pen Line Replacement"(P. 59)
When "Check Waste Ink Tank" appears on the display	 "Waste Ink Tank Replacement"(P. 54)
Periodically	 "Bottle Cap Replacement"(P. 60)

Cloth Wiper Replacement

Replace cloth wipers with new ones when they have run out.



- **The cloth wipers to use depend on the model.** Using inappropriate cloth wipers may damage the print head.

Model	JV/CJV/UCJV	TS (Sb ink)	TS (TP ink)
Code/ Package type	 Seal (red)		 Seal (blue)
	 SPC-0919/Aluminum pack	 SPC-0905/Plastic bag	 SPC-0932/Aluminum pack



SPC-0919 and SPC-0932 cloth wipers

- Precautions are included with the cloth wipers. Thoroughly read them and make sure you understand the contents.
- When disposing of cloth wipers, **be sure to place them in a sealed bag.** Contact an industrial waste disposal operator or dispose of in accordance with the local laws and regulations.
- When handling cloth wipers, ensure adequate ventilation and take care not to inhale the solvent fumes.



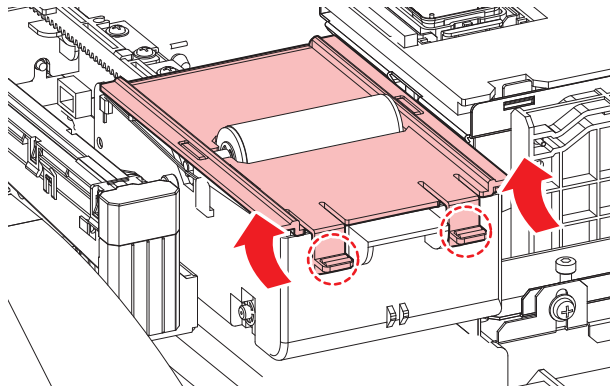
- When handling **SPC-0919 or SPC-0932 cloth wipers**, be sure to wear safety glasses, gloves, and a mask. There is a risk of the liquid (solvent) contained in cloth wipers splashing and contacting your skin, eyes, or mouth.



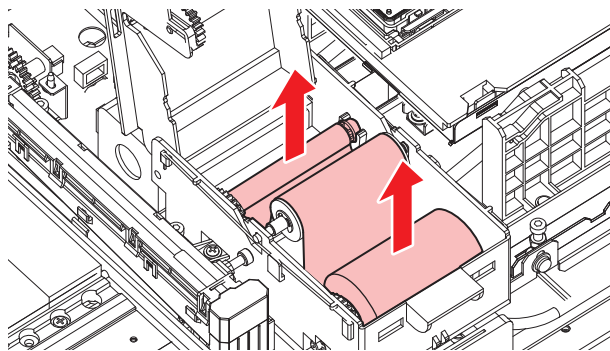
- 1 "Wiper End" appears on the display.
- 2 On the LOCAL mode screen, select [MENU] > [Maintenance], then press the [ENTER] key.
 - The Maintenance menu is displayed.
- 3 Select [Station Maint.] > [Replace Wiper], then press the [ENTER] key.
 - The carriage moves over the platen.
- 4 Open the maintenance cover on the right side.

5 Open the cloth wiper cover.

- Push the two tabs at the front up to open.



6 Remove the wiper together with the spindle.



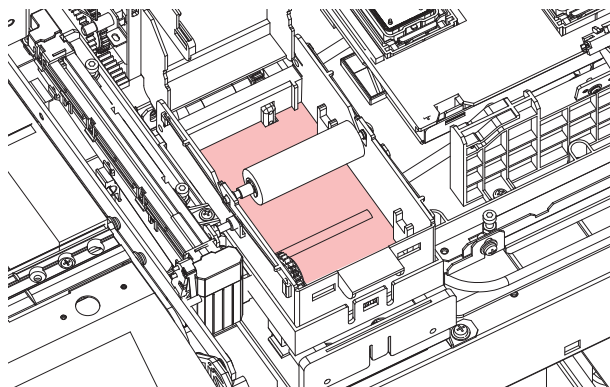
7 Remove the wiper from the spindle.



- When disposing of ink, maintenance liquid or other liquid used with the product, or containers or non-woven fabric contaminated with ink or other liquid, contact an industrial waste disposal operator or dispose of the product in accordance with the local laws and regulations.

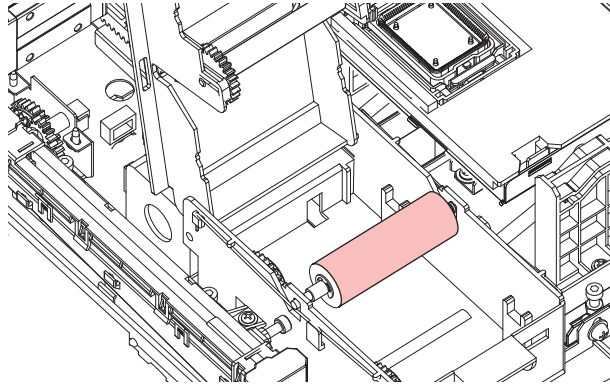
8 Clean the wiper unit underside.

- Wipe off any ink and dust adhering using a cleaning stick moistened with maintenance liquid. Wipe off the maintenance liquid. Make sure none remains.



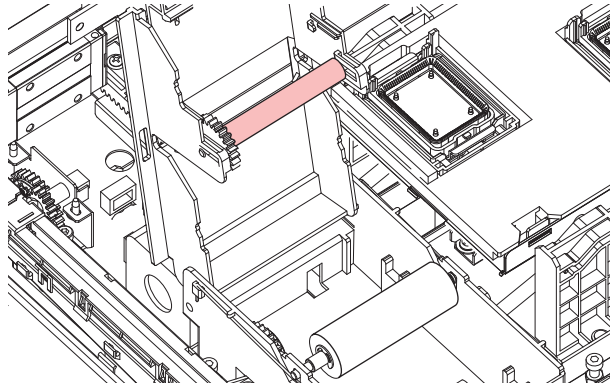
9 Clean the wipe roller.

- Wipe off any ink and dust adhering using a cleaning stick moistened with maintenance liquid. Wipe off the maintenance liquid. Make sure none remains.



10 Clean the pinch rollers.

- Gently wipe off any dust adhering with a soft cloth.

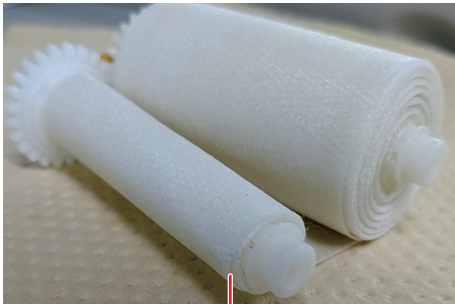


- Do not wipe too hard. Wiping too hard may degrade the sponge.

11 Mount a new cloth wiper.

- (1) Remove the cloth wiper from the bag.
- (2) Unroll the side with more cloth on it.

[When removed from bag]



Wound approximately three times

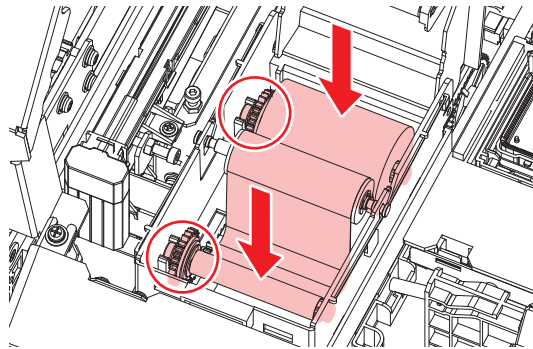
[When mounted in the wiper unit]



Do not unwind!

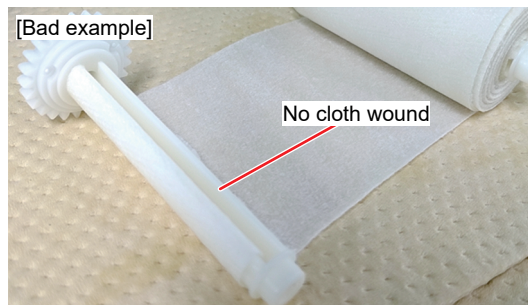
- (3) Mount a new cloth wiper.

- Mount the cloth wiper with the gear on the left.



Important!

- If no cloth is wound around the spindle, wind the cloth around the spindle three times before mounting. If the cloth is mounted with no cloth wound around the spindle, the cloth may become detached from the wiper unit.



12 Close the cloth wiper cover.

13 Close the maintenance cover, then press the [ENTER] key.

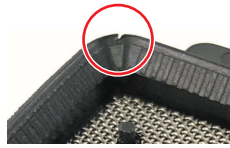
- The remaining amount of cloth wiper is reset.

Cap Replacement

If ejection failures (e.g., nozzle clogging or deflection) remain unresolved even after cleaning, replace with a new cap.



- Be sure to replace the cap if you observe any scratches or other damage on the rim.



- When using Sb or TP ink for extended periods, the cap surface is susceptible to drying out, which can lead to path clogging. If this occurs, either replace the cap or remove and wash it.



- We recommend replacing the cap every six to twelve months.
(TP ink: every six months, other ink: every twelve months)

1 On the **LOCAL** mode screen, select **[MENU] > [Maintenance]**, then press the **[ENTER]** key.

- The Maintenance menu is displayed.

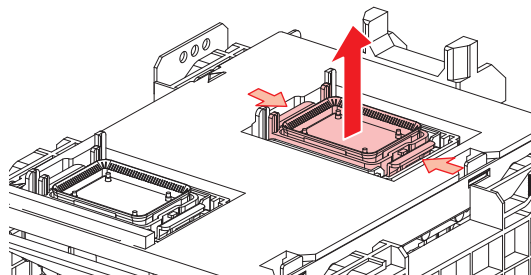
2 Select **[Station Maint.] > [Replace Cap]**, then press the **[ENTER]** key.

- The carriage moves over the platen.

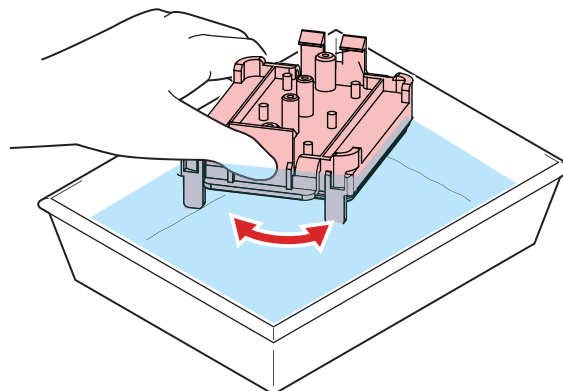
3 Open the maintenance cover on the right side.

4 Remove the cap.

- Squeeze the lugs on either side of the cap and pull off.

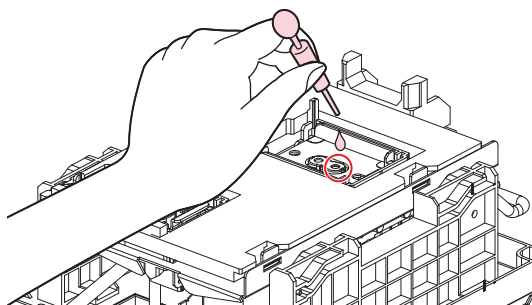


5 [When using Sb ink and TP ink] Rinse the cap with the mesh side facing downward in a container filled with maintenance liquid. Remove, then wipe clean the resin part thoroughly.



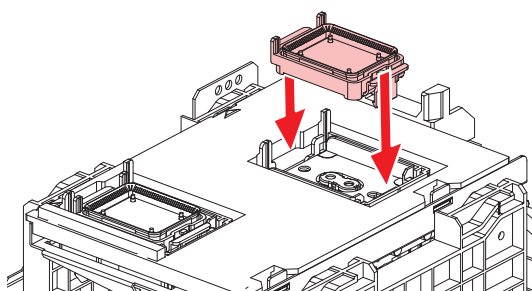
6 Apply maintenance liquid.

- Use a syringe to apply two or three drops of maintenance liquid to the hole at the front.



7 Mount a new cap.

- Position with the slot at the front and push in until it clicks.



8 Once replacement is complete, close the cover, then press the [ENTER] key.

Replacing the Absorber Around the Station

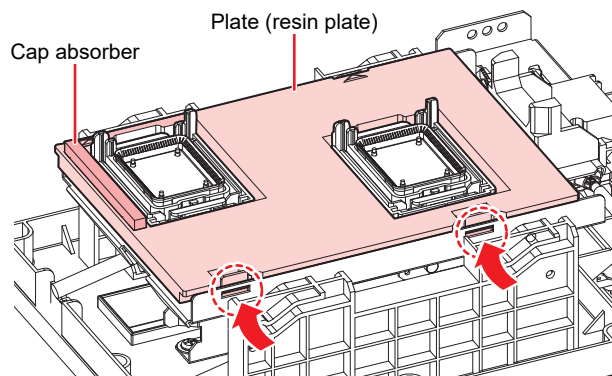
If the cap absorber or maintenance liquid absorber is very dirty or if ink drips on to the media, replace with a new cap absorber.



- UCJV: Maintenance liquid absorber not included.

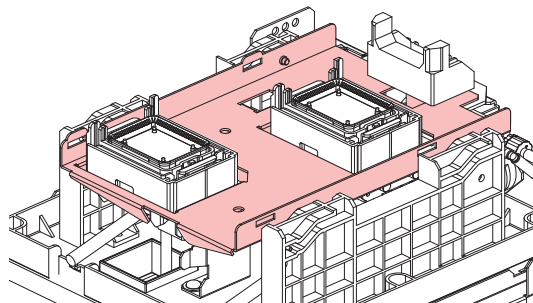
With Resin Plate

- 1 On the **LOCAL** mode screen, select **[MENU] > [Maintenance]**, then press the **[ENTER]** key.
 - The Maintenance menu is displayed.
- 2 Select **[Station Maint.] > [Carriage Out] > [Move To Platen Right End]**, then press the **[ENTER]** key.
 - The carriage moves over the platen.
- 3 Open the maintenance cover on the right side.
- 4 Remove the cap absorber together with the plate.
 - Push up the two tabs at the front to remove the cap absorber.



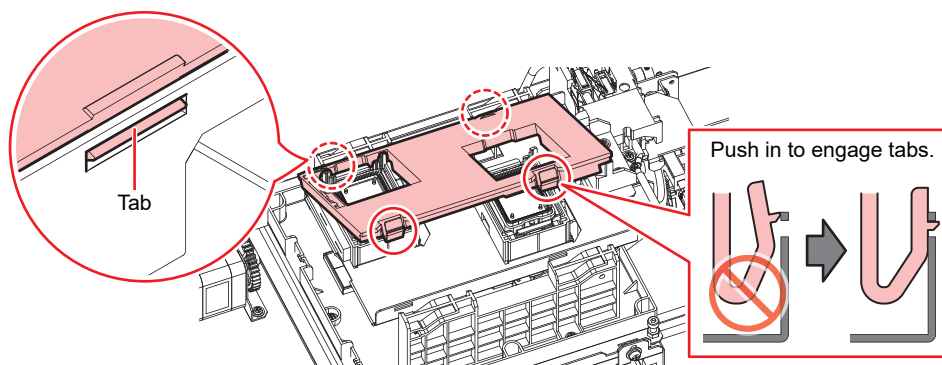
- Avoid ink dripping when removing the cap absorber.

- 5 Clean the cap base.

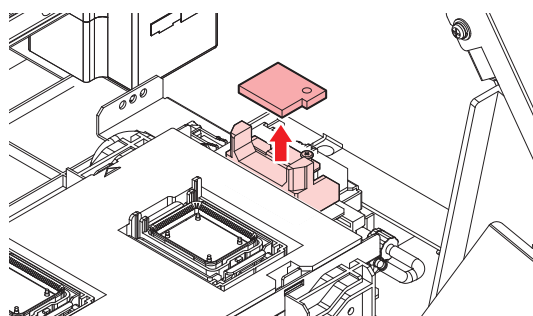


6 Mount a new cap absorber (with plate).

- Push the tabs on the cap absorber into the slits at the rear of the C slider, and clip in the tabs at the front.



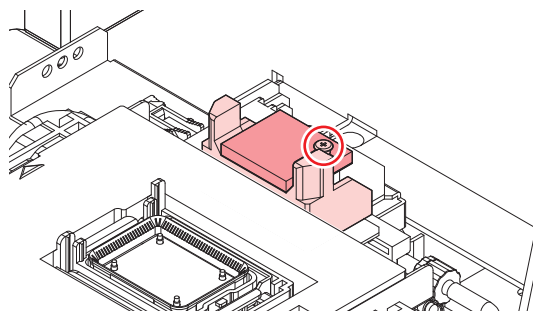
7 Remove the maintenance liquid absorber.



8 Wipe away any maintenance liquid from around the slider block.

9 Mount a new maintenance liquid absorber.

- Push firmly on to the protrusion.



10 Check to confirm that the absorber is not lifting or curved.

11 Once replacement is complete, close the cover, then press the [ENTER] key.

With Metal Plate

1 On the LOCAL mode screen, select [MENU] > [Maintenance], then press the [ENTER] key.

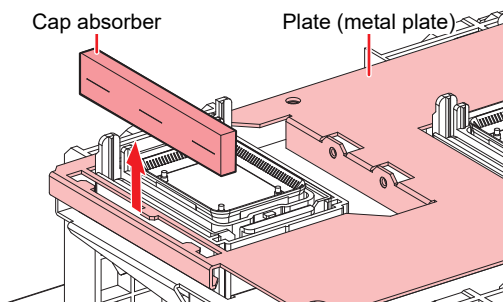
- The Maintenance menu is displayed.

2 Select [Station Maint.] > [Carriage Out] > [Move To Platen Right End], then press the [ENTER] key.

- The carriage moves over the platen.

3 Open the maintenance cover on the right side.

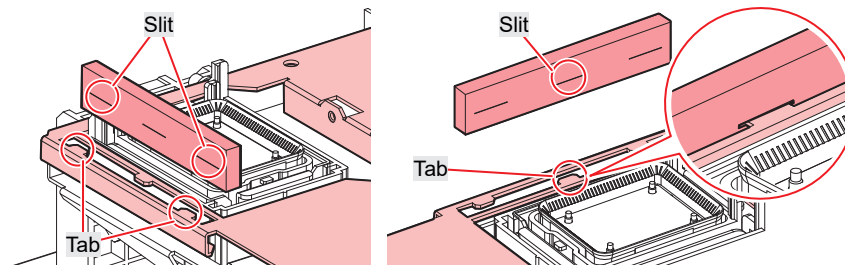
4 Remove the cap absorber.



- Avoid ink dripping when removing the cap absorber.

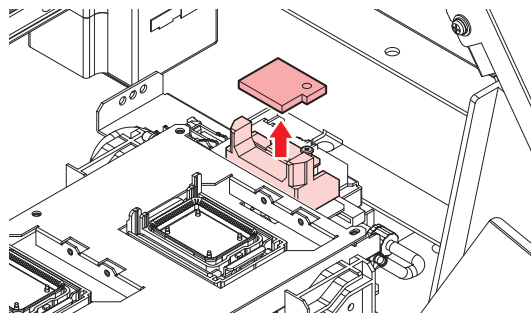
5 Mount a new cap absorber.

- Insert the tabs on the plate into the slits in the cap absorber.



- Check to confirm that the cap absorber does not become detached.

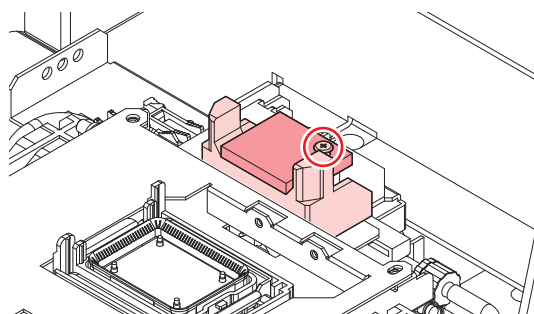
6 Remove the maintenance liquid absorber.



7 Wipe away any maintenance liquid from around the slider block.

8 Mount a new maintenance liquid absorber.

- Push firmly on to the protrusion.

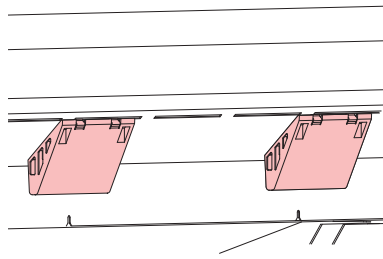


9 Check to confirm that the absorber is not lifting or curved.

10 Once replacement is complete, close the cover, then press the [ENTER] key.

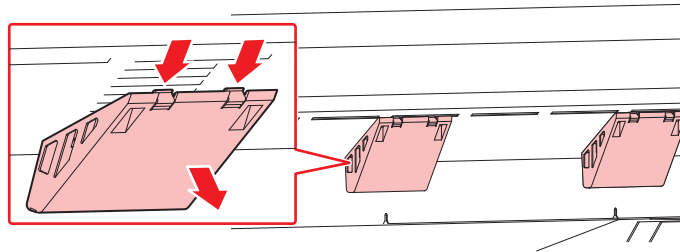
Exhaust Fan Filter Replacement

Check the exhaust fan filter condition. Replace if very dirty.



1 Remove the exhaust fan box.

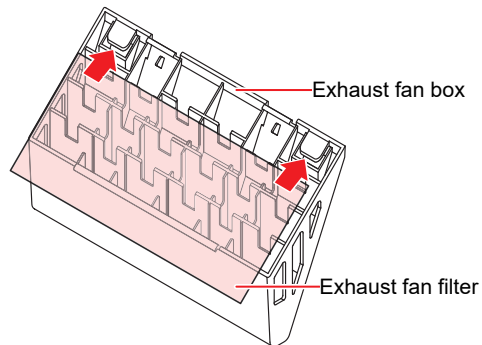
- Push the tabs at the front to remove the exhaust fan box.



- Replace the very dirty exhaust fan box with new one.

2 Mount a new exhaust fan filter in the exhaust fan box.

- Press the exhaust fan filter into the space under the tabs of the exhaust fan box.



3 Mount the exhaust fan box.

- Insert the tabs of the exhaust fan box into the slits of the machine, and clip in the tabs at the front.

Blowing Fan Filter Replacement

JV

CJV

TS



- The description here applies to the JV/CJV/TS.

Replace the blowing fan filter if it is dirty.

Important!

If sublimation transfer ink is used

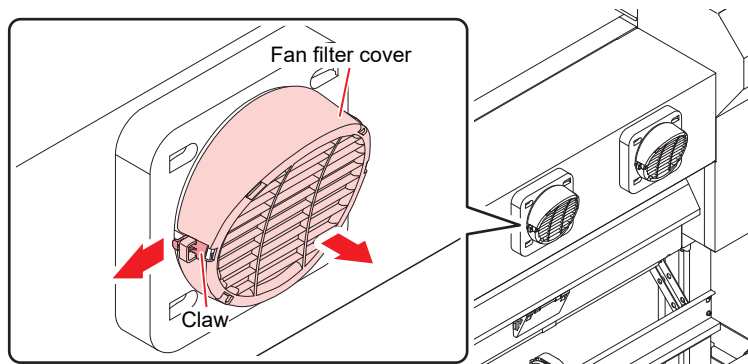
- Replace the filter every three months.



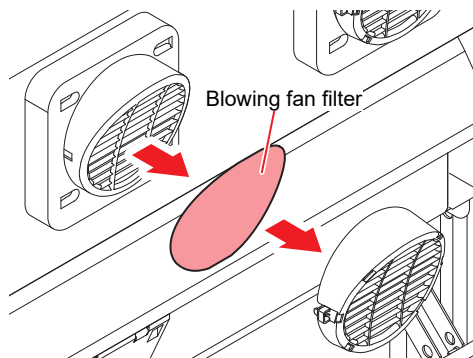
- Turn off the main power and unplug the power cable before replacement.

1 Remove the fan filter cover.

- Push the fan filter cover claw outward, and pull the cover to the front.

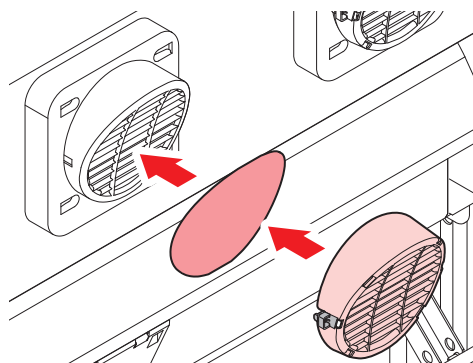


2 Remove the filter.



3 Mount a new filter and the fan filter cover.

- Push in the fan filter cover until the tab clicks.



Pinch Roller Replacement

Replace worn or dirty pinch rollers with new ones.

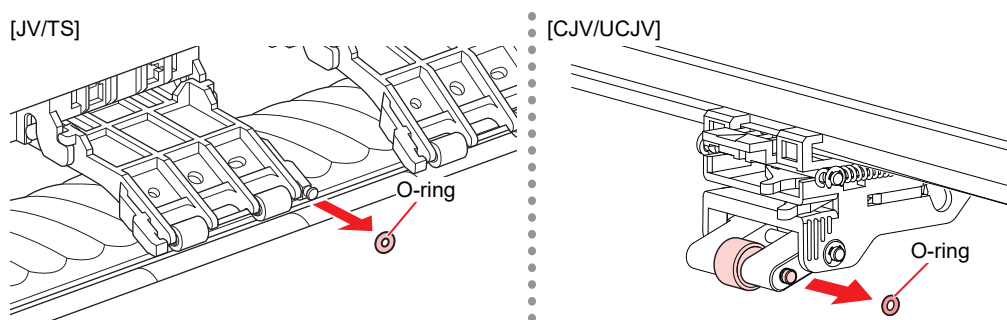
(Important!) If sublimation transfer ink is used

- Replace the pinch rollers every month if used for approximately 12 hours per day.
- Replace the pinch rollers every two weeks if used 24 hours per day.



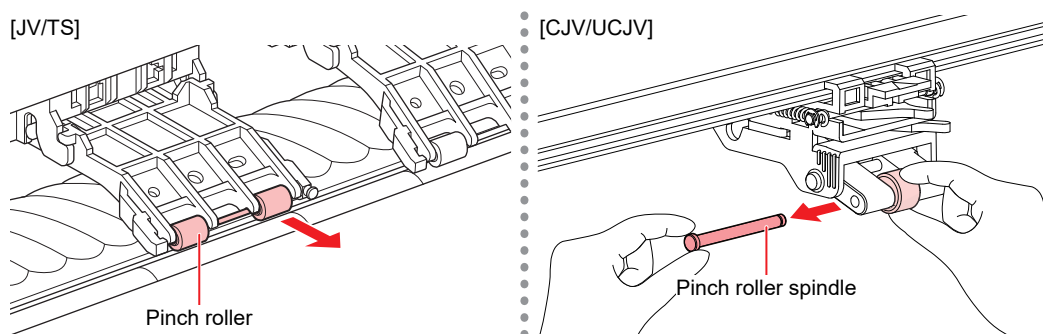
- Turn off the main power and unplug the power cable before replacement.

- 1 Open the front cover.
- 2 Raise the clamp lever.
- 3 Remove the O-ring retaining the pinch rollers.



- The pinch rollers are small. Be careful to avoid dropping them into the product interior.

- 4 Remove the pinch rollers or the pinch roller spindle.



- 5 Mount new pinch rollers, and secure them using the O-ring.
- 6 Close the front cover.

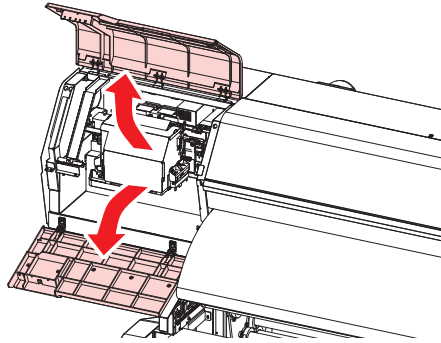
Media Holder Replacement

If the media holder becomes deformed and touches the carriage or print head, replace with a new media holder.

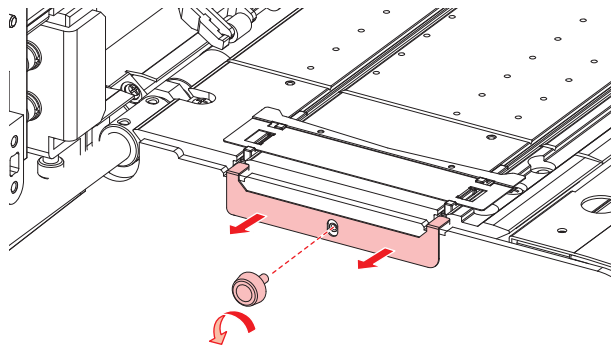


- Turn off the main power and unplug the power cable before replacement.

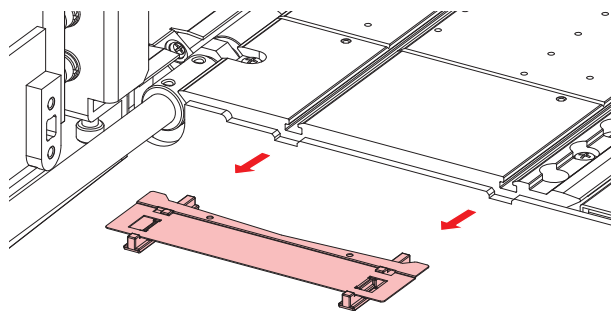
- 1 Open the maintenance cover on the left side.



- 2 Remove the side screw, and detach the media holder stopper.

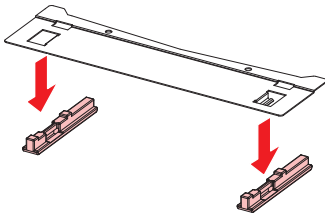


- 3 Remove the media holder.

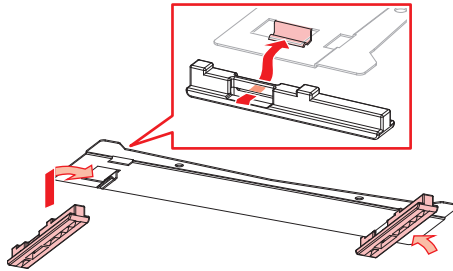
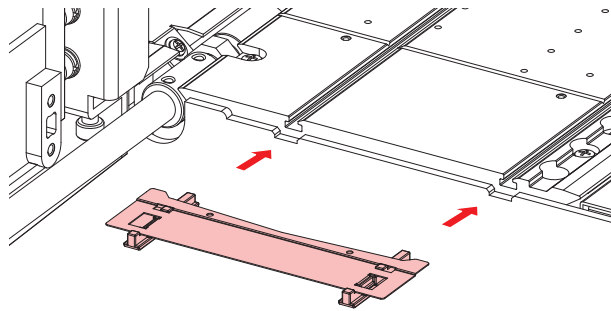
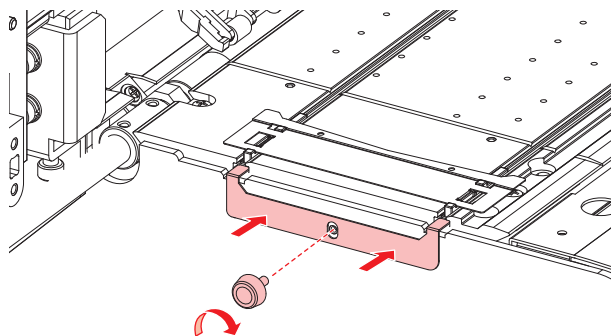


4 Remove the sliders from the media holder.

- Be careful to avoid misplacing the sliders.

**5 Mount the sliders on to the new media holder.**

- Engage the holes in the sliders on to the lugs on the media holder.

**6 Mount the new media holder on to the platen.****7 Secure the media holder stopper with the screw.****8 Close the maintenance covers.**

Media Cutter Replacement

Replace cutters when blades are chipped or blunt.



- Avoid touching the cutter blade. Failure to do so may result in injury.

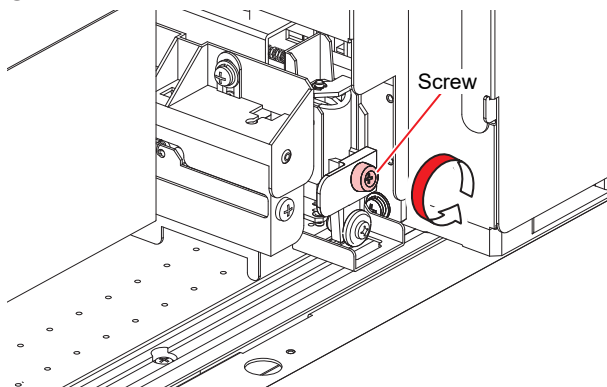
- 1** On the **LOCAL** mode screen, select **[MENU] > [Maintenance]**, then press the **[ENTER]** key.
 - The Maintenance menu is displayed.
- 2** Select **[Station Maint.] > [Carriage Out] > [Move To Platen Right End]**, then press the **[ENTER]** key.
 - The carriage moves over the platen.
- 3** Open the front cover.



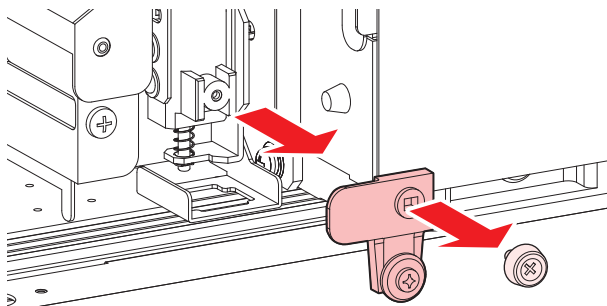
- The carriage can be moved by hand. Move the carriage slowly to a position allowing easy access while working.

4 Replace the media cutter.

- (1) Unscrew the cutter screw.



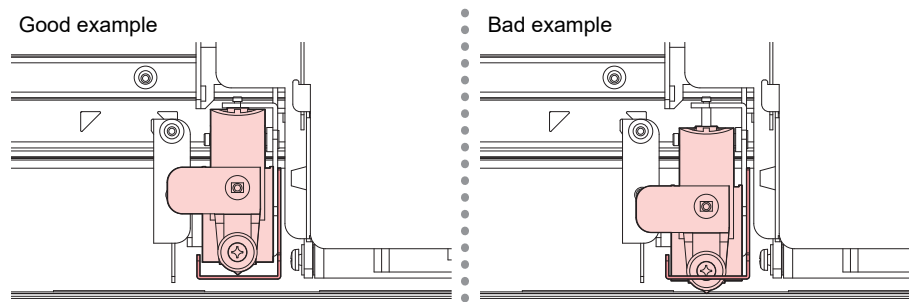
- (2) Remove the cutter.



- (3) Mount a new cutter.
- (4) Tighten the screw to clamp the cutter.

5 Check the position of the media cutter.

- Lift up the media cutter by hand if it has dropped down.



6 Once replacement is complete, close the cover, then press the [ENTER] key.

Y Cutter Replacement (XY Slitter)

JV

CJV

UCJV



- JV/CJV: Equipped as standard.

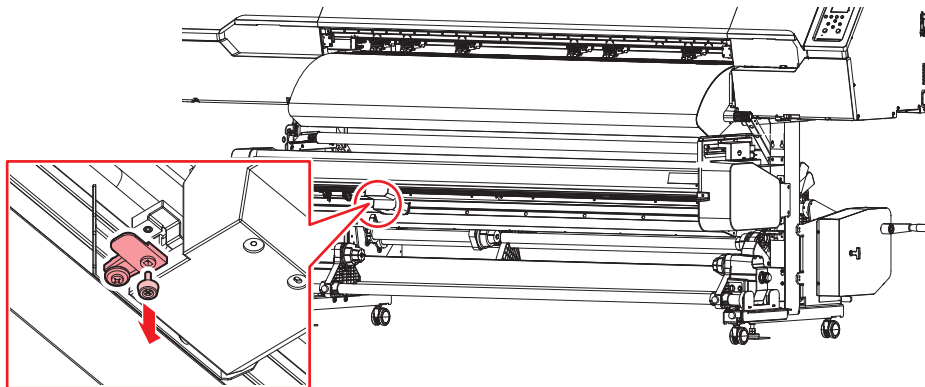
Replace cutters when blades are chipped or blunt.



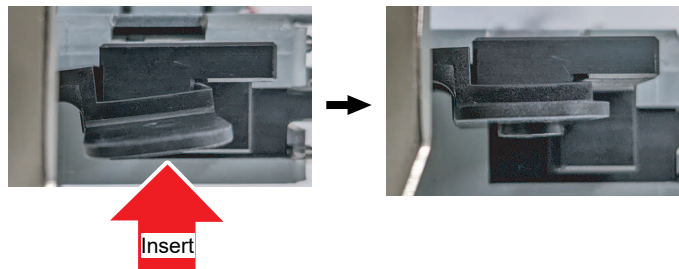
- Avoid touching the cutter blade. Failure to do so may result in injury.

1 Unscrew the cutter screw.

2 Remove the cutter.



3 Insert a new cutter straight in as far as it will go.

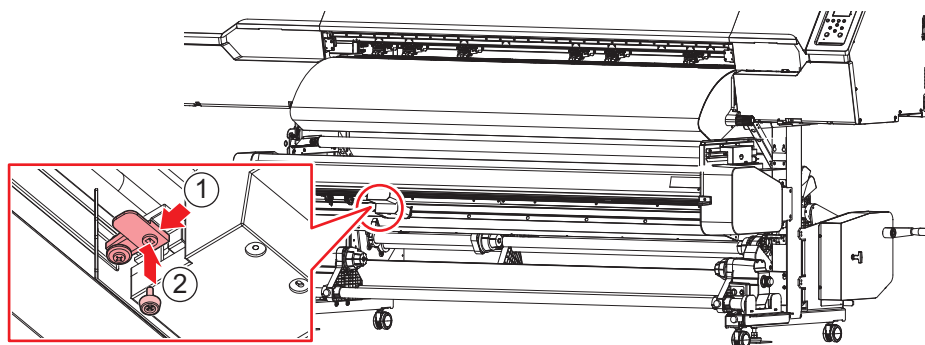


- Take care to ensure that the cutter is not inserted at an angle.

4 Tighten the screw to clamp the cutter.



- If the screw is difficult to tighten, tighten while pushing the cutter right in.



X Cutter Replacement (XY Slitter)

JV
CJV
UCJV

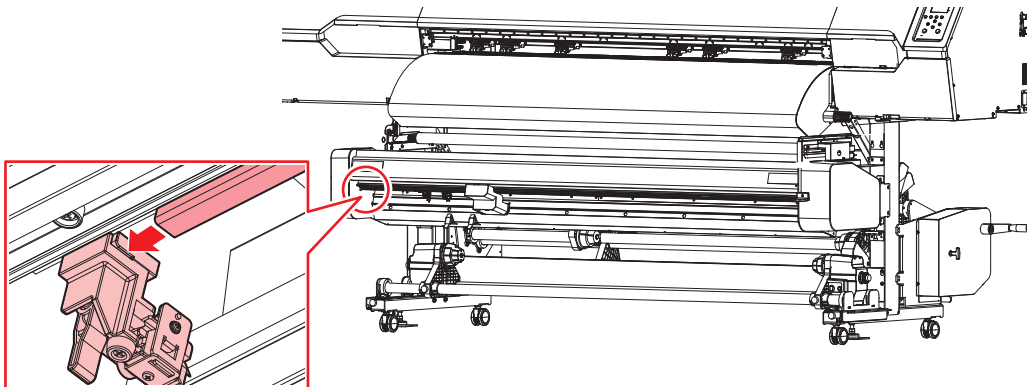

- JV/CJV: Equipped as standard.

Replace cutters when blades are chipped or blunt.

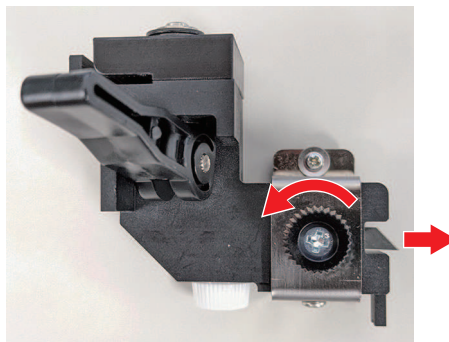


- Avoid touching the cutter blade when replacing cutters. Failure to do so may result in injury. Use radio pliers or tweezers to replace cutters.

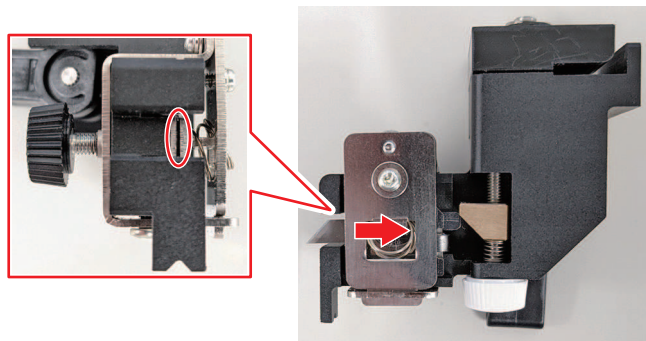
- 1 Slide the X cutter unit to the left-hand end to remove.



- 2 Turn the screw and remove the cutter.

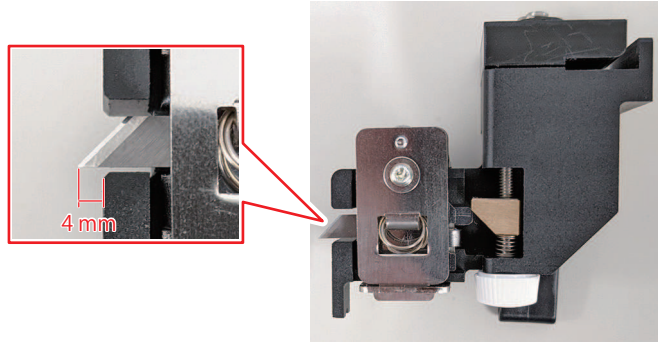


- 3 Insert a new X cutter with the blade up until it stops.

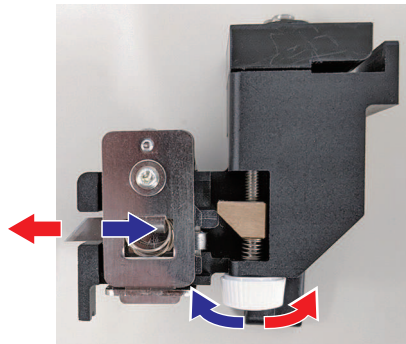

Important!

- If the blade does not stop, the blade is not positioned correctly. Reposition and insert the blade again.

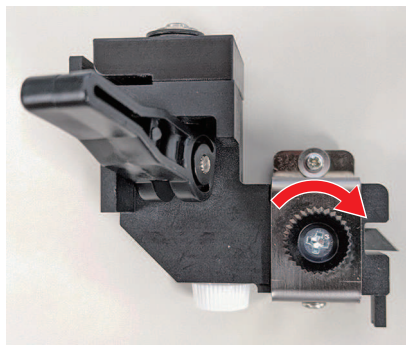
4 Check to confirm that the protrusion amount of the blade is 4 mm.



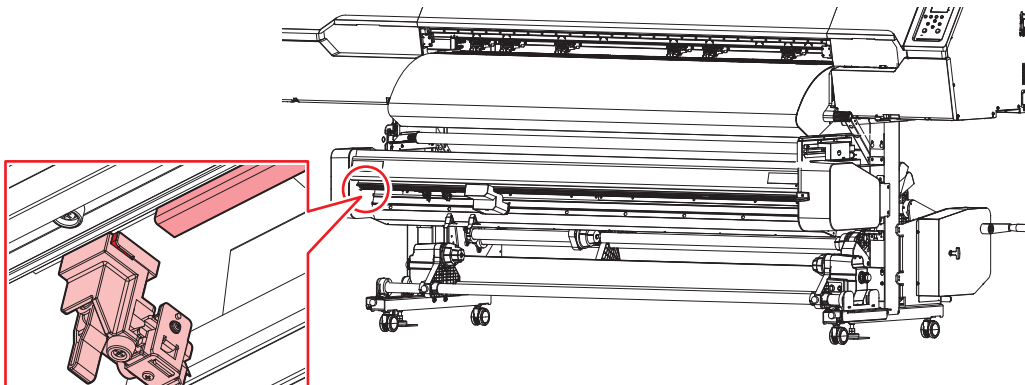
- If not, adjustment is required.
 - (1) Turn the white knob screw to adjust the protrusion of the blade.
 - Turn the screw clockwise to protrude the blade.
 - Turn the screw counterclockwise to retract the blade.



5 Tighten the screw to clamp the X cutter.



6 Insert the X cutter groove into the L-shaped slide rail.



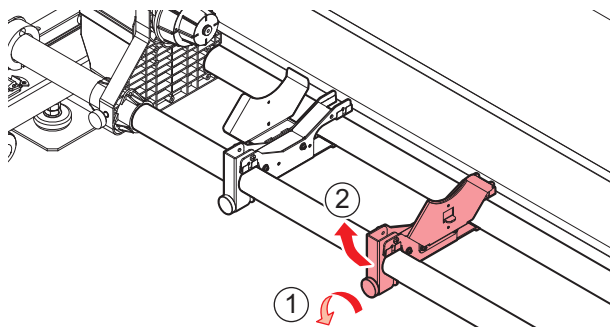
Media Edge Guide Film Replacement

JV
CJV
TS
UCJV

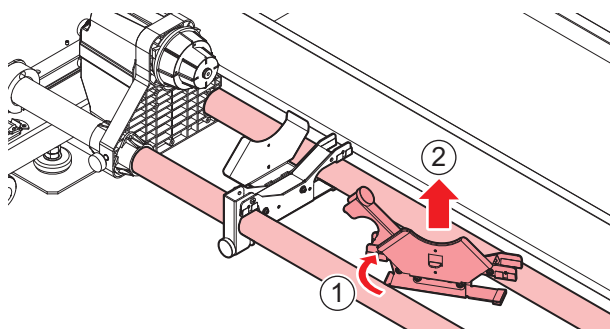

- The description here applies to the JV/CJV/TS/UCJV*.
- Included as standard for the TS, and optional for the JV/CJV/UCJV.

Replace the media edge guide film if it is creased or worn.

1 Turn the knob screw and open the media edge guide cover.



2 Rotate the media edge guides to remove them.



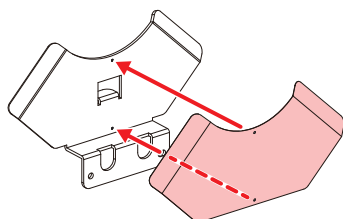
3 Remove the media edge guide film from the media edge guide.



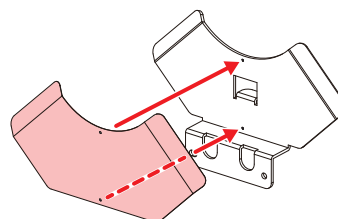
- Make sure no parts of the double-sided tape remain.

4 Remove the double-sided tape on the media edge guide film and attach it to the media edge guide.

- Align and attach the film hole (x2) to the screw hole (x2) of the media edge guide.



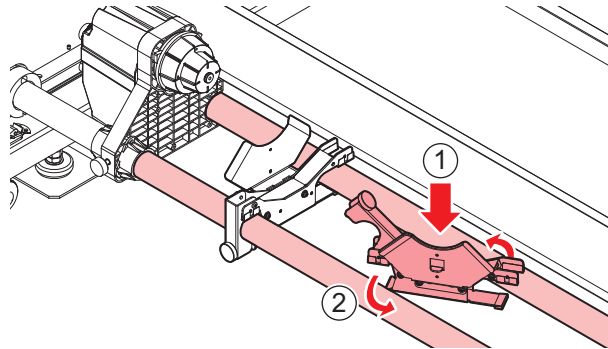
Left side



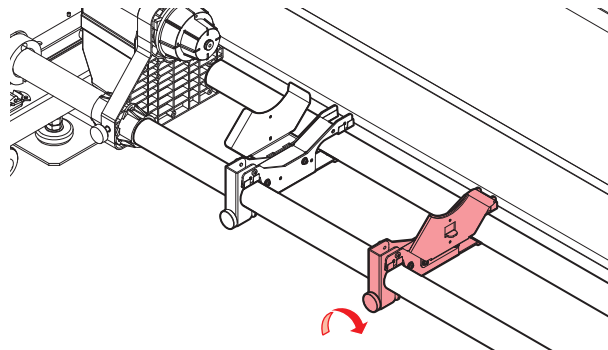
Right side

5 Position the media edge guides on the roll guides.

- (1) Insert the media edge guides between the roll guides.
- (2) Rotate the media edge guides to mount them on the roll guides.



- (3) Secure the media edge guides with the knob screw.



Ink Supply Unit Ink Absorber Replacement

JV

CJV

TS



- The UCJV does not include this function.

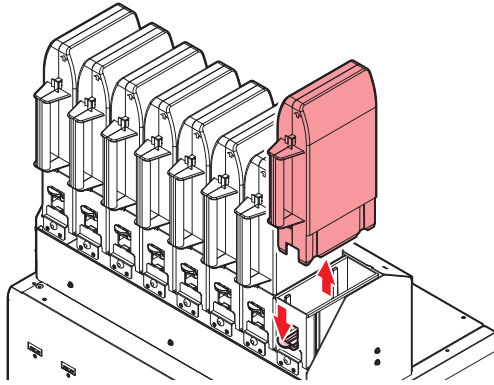
We recommend replacing the ink absorber each time you replace the ink pack, to prevent dirt building up on the pedestal of the ink supply unit.



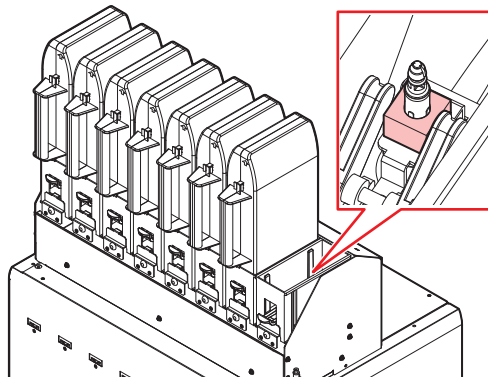
- Pay close attention to ventilation and be sure to wear safety glasses, gloves, and a mask when handling ink, maintenance liquid, waste ink, or other solutions used with the machine. Leaking ink may adhere to the skin or get into the eyes or mouth.



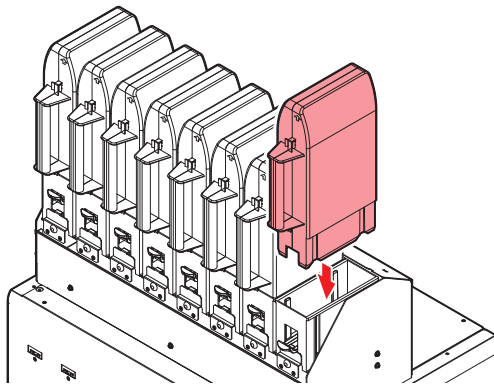
- 1 Push down the lever on the pedestal, and remove the Ink eco-case.



- 2 Remove the ink absorber, and replace with a new one.



- 3 Set an eco-case on the base.



Waste Ink Tank Replacement

Ink used during head cleaning and other processes is collected in the waste ink tank at the lower right of the machine.

This product keeps track of the waste ink level. A "Check Waste Ink Tank" message appears when the preset level is reached. Use this a guide for replacing the waste ink tank.



- For a 2-liter tank, the preset level is 80 % (1.6 L).
- Continuing to use the product without disposing of the waste ink may result in waste ink overflowing from the waste ink tank. Visually check ink levels in the waste ink tank about once a week.

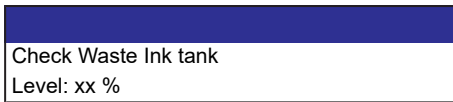


- Pay close attention to ventilation and be sure to wear safety glasses, gloves, and a mask when handling ink, maintenance liquid, waste ink, or other solutions used with the machine. Leaking ink may adhere to the skin or get into the eyes or mouth.






When "Check Waste Ink Tank" message appears

- 1 The "Check Waste Ink Tank" message appears on the display.



Check Waste Ink tank
Level: xx %

- 2 Check the waste ink levels in the waste ink tank.
 - If you note any discrepancies from actual levels, proceed to the next step.
 - If there is no discrepancy, replace (dispose of) the waste ink tank referring to  ["Replacing the Waste Ink Tank"\(P. 54\)](#).
- 3 On the LOCAL mode screen, select [MENU] > [Maintenance], then press the [ENTER] key.
 - The Maintenance menu is displayed.
- 4 Select [Waste Ink Tank], then press the [ENTER] key.
- 5 Select [Adjust Waste Ink Volume], then press the [ENTER] key.
- 6 Press   to adjust the level.
- 7 Press the [ENTER] key once adjustment is complete.

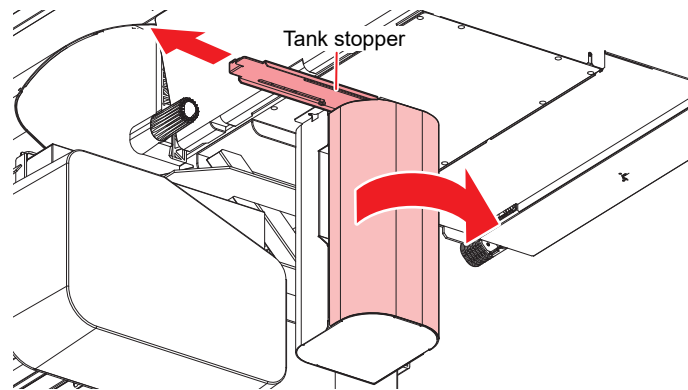
Replacing the Waste Ink Tank



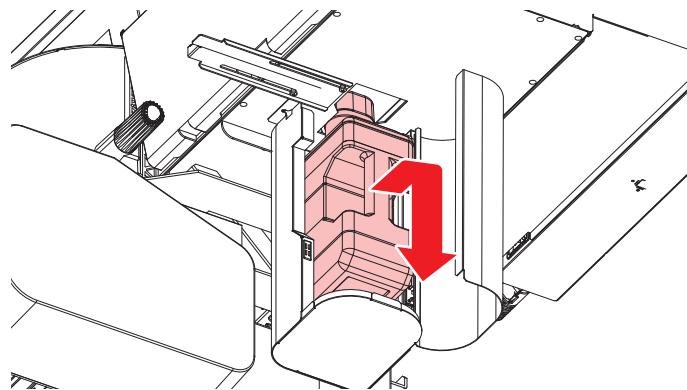
- No tank stopper is included when the waste ink tank cover is made of plastic.

- 1 On the LOCAL mode screen, select [MENU] > [Maintenance], then press the [ENTER] key.
 - The Maintenance menu is displayed.
- 2 Select [Waste Ink Tank], then press the [ENTER] key.

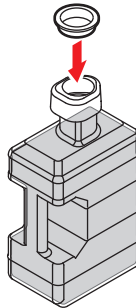
- 3 Select [Reset Waste Ink Volume], then press the [ENTER] key.
- 4 Open the waste ink tank cover and unlock and pull the stopper forward.



- 5 Hold the handle on the waste ink tank and slide out.

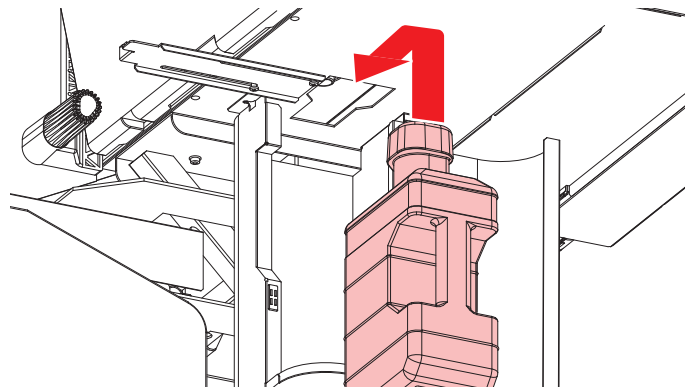


- 6 Attach the cap to the removed waste ink tank, and use tape to prevent leakage of waste ink.

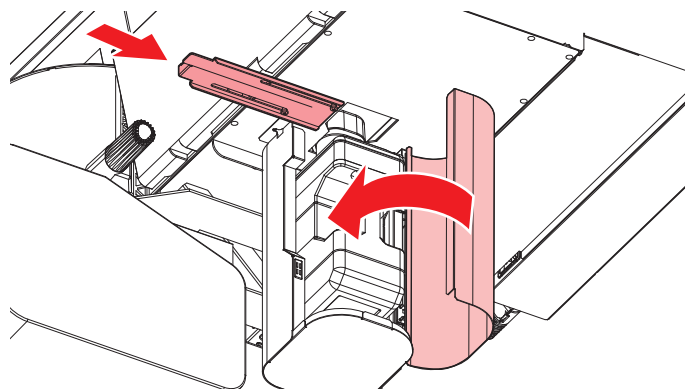


- When disposing of ink, maintenance liquid or other liquid used with the product, or containers or non-woven fabric contaminated with ink or other liquid, contact an industrial waste disposal operator or dispose of the product in accordance with the local laws and regulations.

7 Install a new waste ink tank.



8 Return the stopper to its original position and close the waste ink tank cover.



9 Press the [ENTER] key.

- The waste ink level will be reset.

Mist Filter Replacement

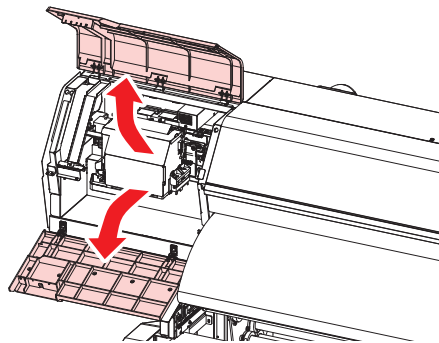
UCJV



- The description here applies to the UCJV.

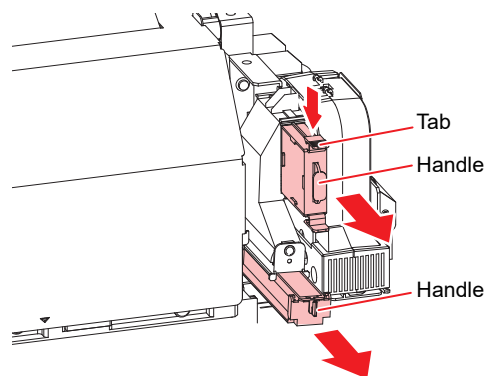
Check the mist filter. Replace if very dirty.

- 1 On the LOCAL mode screen, select [MENU] > [Maintenance], then press the [ENTER] key.**
 - The Maintenance menu is displayed.
- 2 Select [Station Maint.] > [Carriage Out] > [Move To Maint. Space], then press the [ENTER] key.**
 - The carriage moves to the maintenance space.
- 3 Open the maintenance cover on the left side.**



- 4 Remove the mist filter box.**

- Push the tab in the direction indicated by the arrow and slide out in the direction of the arrow to remove.



- 5 Replace the mist filter with a new one.**
- 6 Install the mist filter box.**
 - Insert until it clicks into place. Confirm that the tab is engaged.
- 7 Once replacement is complete, close the cover, then press the [ENTER] key.**

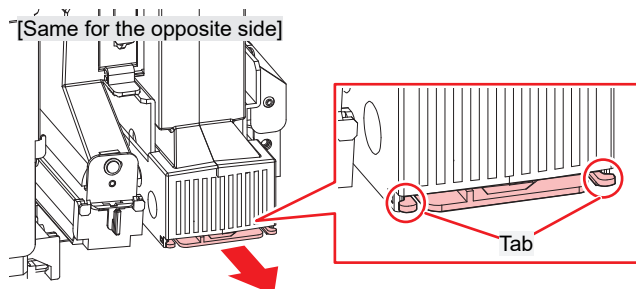
UV-LED Glass Replacement

UCJV

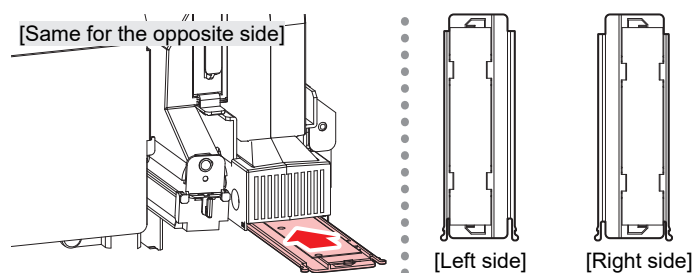

- The description here applies to the UCJV.

Replace the glass on the underside of the UV-LED unit if hardened ink is adhering to it.

- 1 On the LOCAL mode screen, select [MENU] > [Maintenance], then press the [ENTER] key.**
 - The Maintenance menu is displayed.
- 2 Select [Station Maint.] > [Carriage Out] > [Move To Platen Right End], then press the [ENTER] key.**
 - The carriage moves over the platen.
- 3 Open the front cover.**
- 4 Remove the LED glass.**
 - Push the tabs inward and slide out the glass in the direction of the arrow to remove.
 - Be careful not to apply too much force when unclipping the tabs. Disregarding this precaution may result in breakage of the tabs.



- 5 Install a new LED glass.**
 - Insert until it clicks into place. Confirm that the tabs are engaged.



- 6 Once replacement is complete, close the cover, then press the [ENTER] key.**

Cutter for Cutting Machine

CJV

UCJV



- The description here applies to the CJV/UCJV.

Replace cutters when blades are chipped or blunt.



- Avoid touching the cutter blade. Failure to do so may result in injury.
- Do not shake or swing the cutter holder. Doing so may cause the blade to come off.

● Replacing Cutters

Installing Cutting Tools

Pen Line Replacement

CJV

UCJV



- The description here applies to the CJV/UCJV.

This machine can be used with the following pen lines.

- Pen line rubber
Used for pen writing or cutting
- Pen line sponge
Used for half cut (cutting across a dotted line)

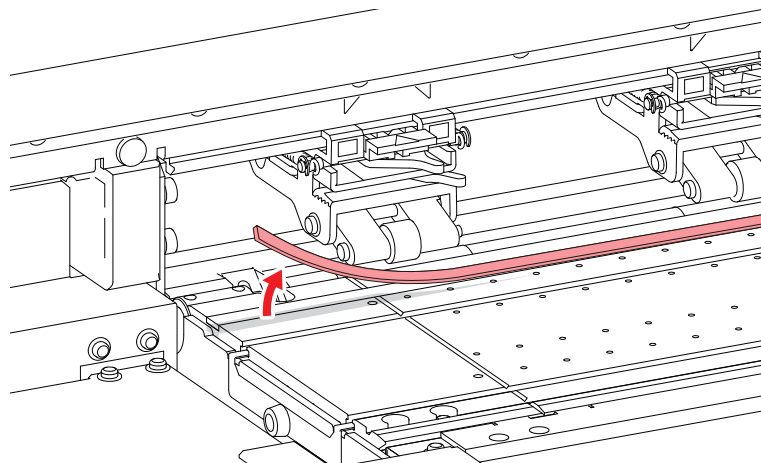


- Turn off the main power and unplug the power cable before replacement.

1 Open the front cover.

2 Use tweezers to peel off the end of the pen line.

- Wipe off any adhesive remaining in the platen slot with industrial alcohol.



3 Attach double-sided tape in the platen slot.

- Peel off the base paper from the double-sided tape.

4 Attach the pen line on the double-sided tape.

- Make sure the pen line lies flat.

5 Close the front cover.

Bottle Cap Replacement

UCJV

Replace approximately once a year. For information on the replacement procedure, refer to UCJV.



- Pay close attention to ventilation and be sure to wear safety glasses, gloves, and a mask when handling ink, maintenance liquid, waste ink, or other solutions used with the machine. Leaking ink may adhere to the skin or get into the eyes or mouth.



Care and maintenance

Aug, 2024

MIMAKI ENGINEERING CO.,LTD.

2182-3 Shigeno-otsu, Tomi-shi, Nagano 389-0512 JAPAN

D203601-22-09082024

