

TS500/Tx500 Daily Care



Make sure to wear the attached **goggles and glove** when you work.

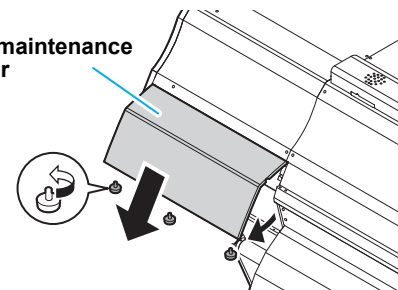
With a view to using this machine in a better condition, please be sure to the following daily care **after at the end of the daily work**. Please refer to “Daily care manual” for the detail.

Cleaning of around the heads

1. Perform [HEAD MAINT.], move the carriage to the maintenance position and open the left maintenance cover.

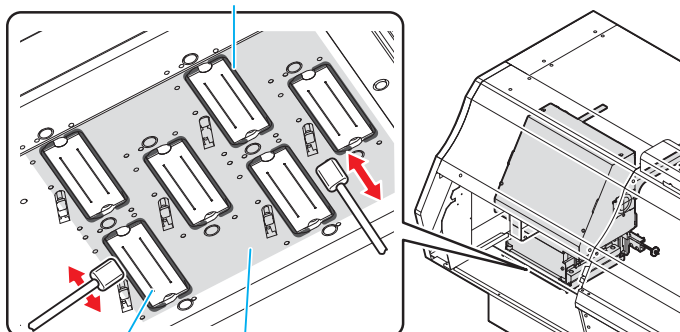
- (1) Press the **MAINT.** key in LOCAL.
- (2) Press the **ENTER** key.
- (3) Press **▲ ▼** to select [HEAD MAINT.].
- (4) Press the **ENTER** key.
- (5) Open the left maintenance cover.

Left maintenance cover



2. Soak the clean stick or the waste cloth in the maintenance cleaning liquid and wipe off an accumulated ink on the side of the head and on the bottom surface of the slider.

Side surface of the head (shown in deep gray)



Nozzle part Bottom surface of the slider (shown in gray)

[Before cleaning]



[After cleaning]



Important!

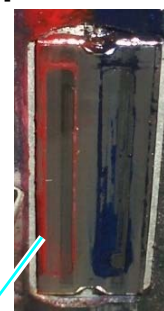
- Do not touch the nozzle surface, because the cleaning will be performed in the procedure No.3.

3. Soak the COTTON CIEGAL[®] in the maintenance cleaning liquid and wipe off the mark of the cap rubber attached on the nozzle surface from the rear side to the front side.

COTTON CIEGAL[®]



[Before cleaning]



Mark of the cap

[After cleaning]



Important!

- Immerse much enough so that maintenance liquid may drip from it.
- Do not wipe the nozzle surface with dry COTTON CIEGAL[®].
- If COTTON CIEGAL[®] has fluffed, replace it.
- If ink solid adheres to COTTON CIEGAL[®], change the surface to use for cleaning or replace it.

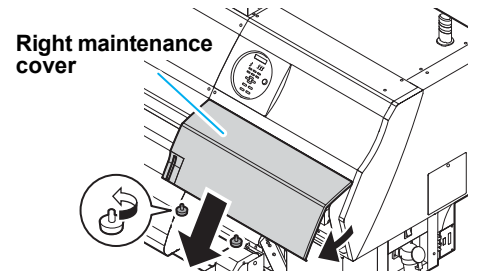
4. Close the left maintenance cover.

5. Press **ENTER**, complete the cleaning.

Cleaning of the station

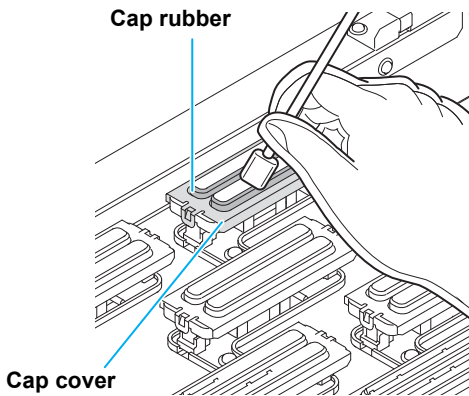
1. Perform [STATION MAINT.], move the carriage to the maintenance position and open the left maintenance cover.

- (1) Press the **MAINT.** key in LOCAL.
- (2) Press the **ENTER** key.
- (3) Press **▲ ▼** to select [STATION MAINT.].
- (4) Press the **ENTER** key.
- (5) Open the left maintenance cover.



① Cleaning of the cap

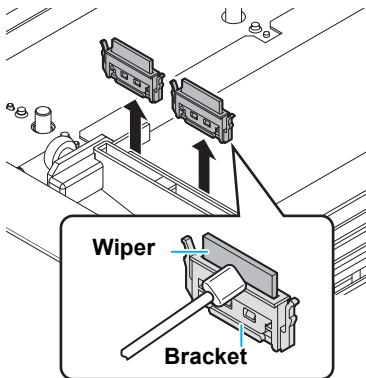
Wipe off the ink of the cap rubber and cap cover with clean stick or waste cloth dipped in cleaning solution for maintenance.



- Important!**
- After cleaning, make sure that the cap rubber and mesh in the cap are not removed.

② Cleaning of the wiper

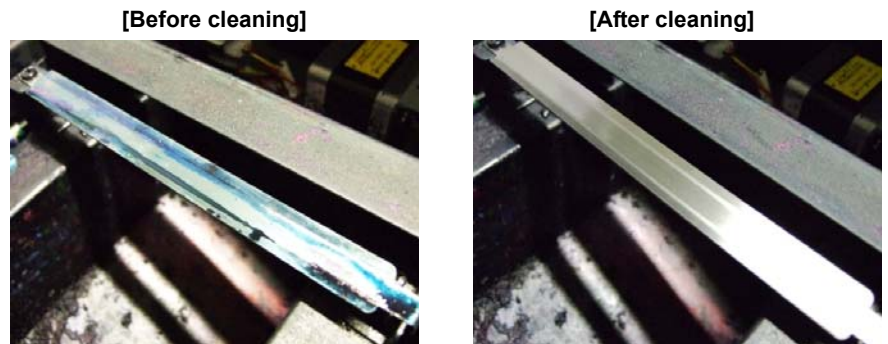
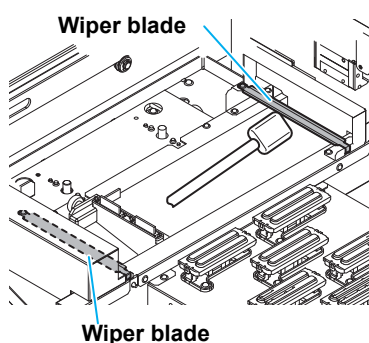
Wipe off the ink of the wiper and bracket with clean stick or waste cloth dipped in cleaning solution for maintenance.



- Important!**
- After cleaning, make sure the edge of the wiper is horizontal.

③ Cleaning of the wiper blade

Wipe off the ink of the wiper blade with clean stick or waste cloth dipped in cleaning solution for maintenance.



2. Close the right maintenance cover.

3. Press **ENTER**, complete the cleaning.